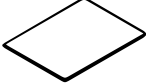












ASSEMBLY INSTRUCTIONS

ITEM #:278-074

PARTS IDENTIFICATION

1		1 PC
2		1 PC
3		2 PCS

HARDWARE IDENTIFICATION

A		1PC
B		8PCS
C		2PCS
D		10PCS
E		2PCS
F		2PCS
G		2PCS
H		1PC

