

ASSEMBLY INSTRUCTION

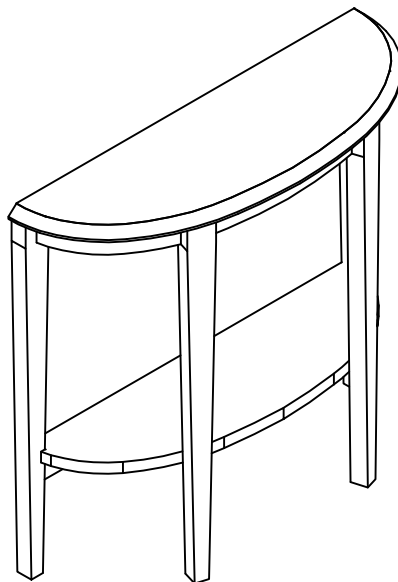
PLEASE READ BEFORE ASSEMBLING!

Tip #1: Make sure you've taken all the pieces and hardware out of its packaging before discarding the box.

Tip #2: Using page 2 and/or page 3 of instruction manual make sure all pieces and hardware are accounted for.

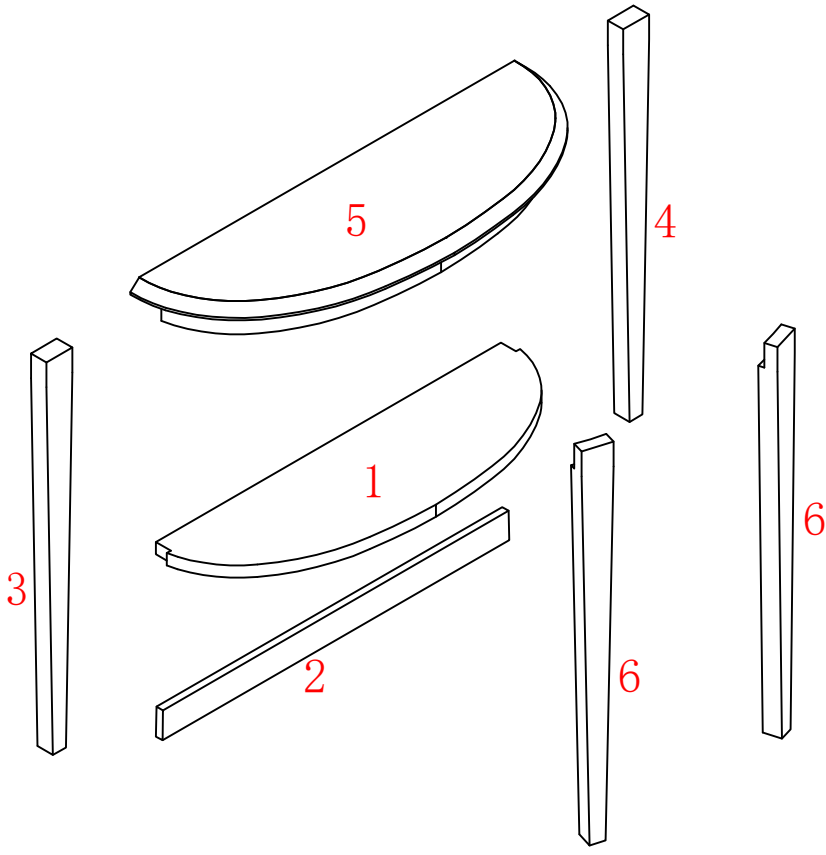
Tip #3: Read manual before assembling, it helps!

ITEM#: 14963



PARTS IDENTIFICATION

ITEM#: 14963





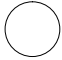






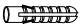


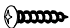


- (1) 1pc
- (2) 1pc
- (3) 1pc
- (4) 1pc
- (5) 1pc
- (6) 2pcs

HARDWARE

IDENTIFICATION

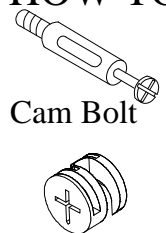
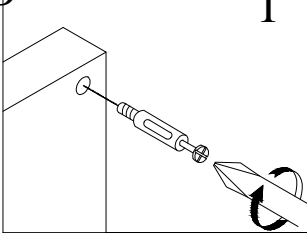
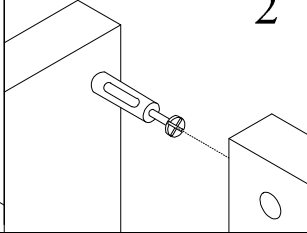
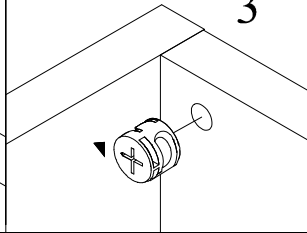
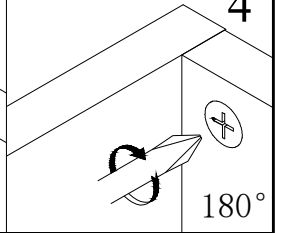
ITEM#: 14963

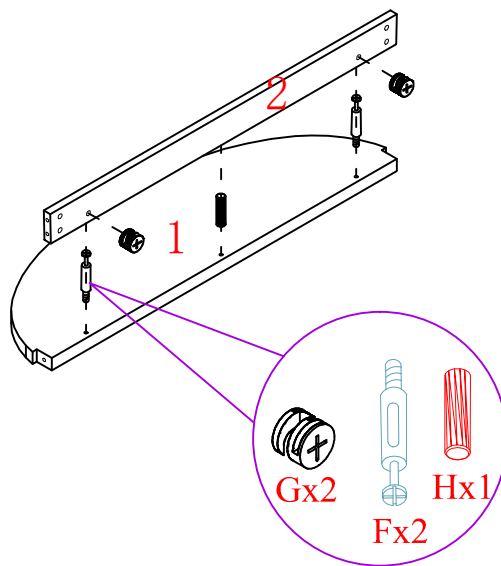
A		$\phi 6 \times 30\text{mm}$	6PCS
B		$\phi 8 \times 70\text{mm}$	4PCS
C		M8	4PCS
D		M8	4PCS
E		$\phi 45\text{mm}$	2PCS
F		L29	8PCS
G		$\phi 15$	8PCS
H		$\phi 8 \times 25$	1PC
I		$\phi 16$	4PCS
J		M13	1PC
K		197x5x1	1pcs
L		$\Phi 8 \times 40$	1pcs
M		12x12x1	2pcs
N		$\Phi 5 \times 40$	1pc
O		$\Phi 4 \times 25$	1pc

ASSEMBLY INSTRUCTION

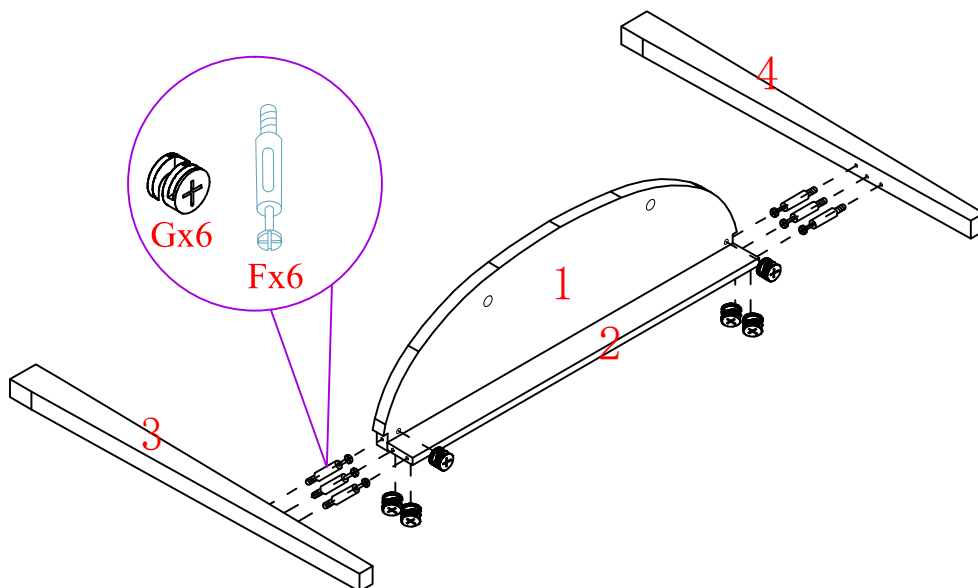
ITEM#: 14963

HOW TO

 <p>Cam Bolt</p> <p>Cam Lock</p>	<p>1</p> 	<p>2</p> 	<p>3</p> 	<p>4</p>  <p>180°</p>
	<p>1.Screw Cam Bolt into panel.</p>	<p>2.Insert Cam Bolt into bolt hole of joining panel.</p>	<p>3.Insert Cam Lock. arrow facing bolt.</p>	<p>4.Gently turn Cam Lock clockwise to lock position.</p>

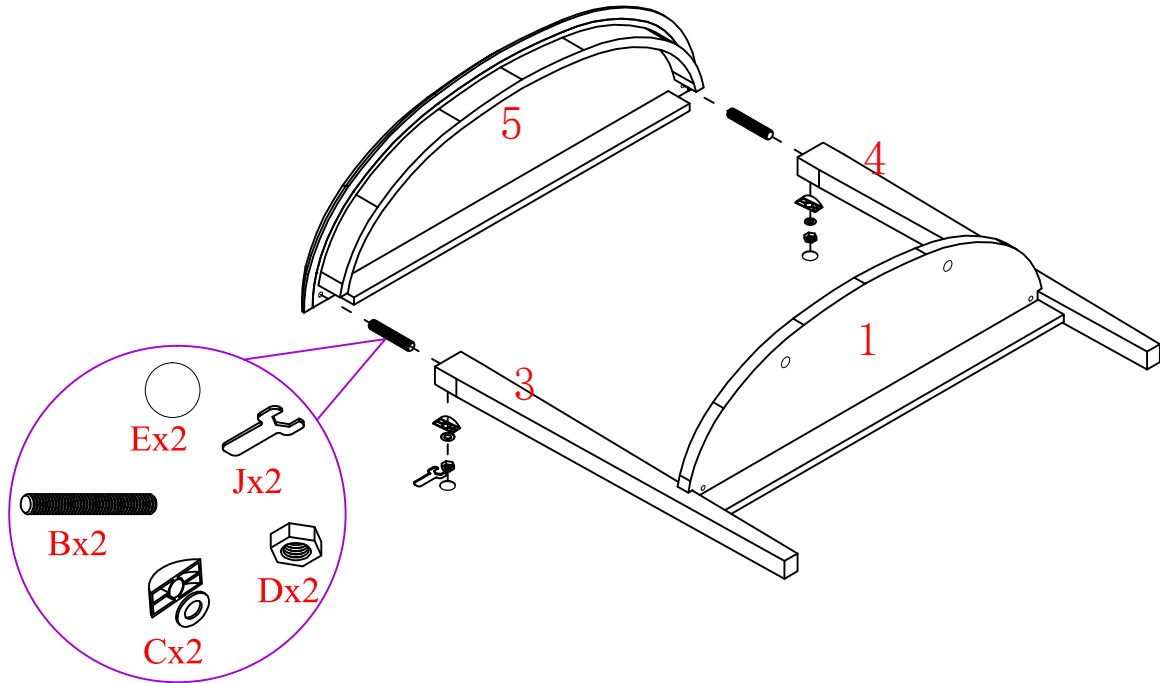


STEP2



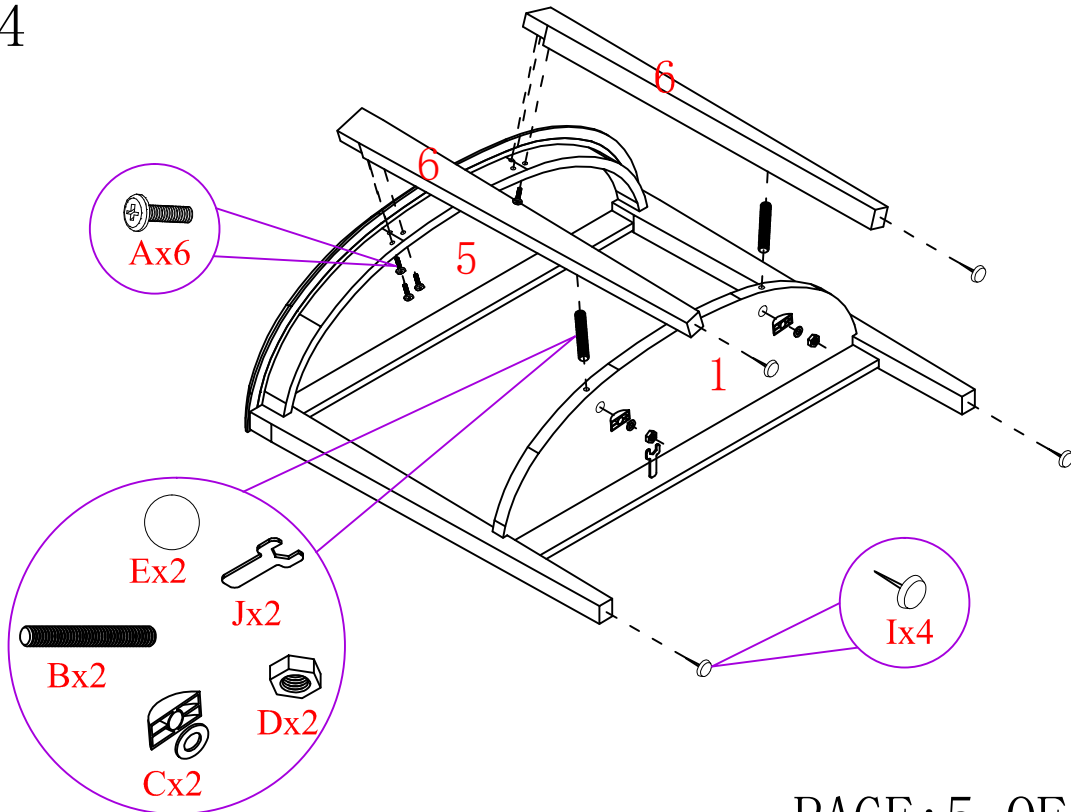
ASSEMBLY INSTRUCTION

ITEM#: 14963



STEP3

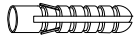
STEP4



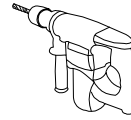
ANTI-TIPPING STRAP INSTRUCTION

HARDWARE (INCLUDED) :

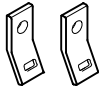
TOOLS NEEDED (NOT INCLUDED) :



DRYWALL ANCHOR $\phi 8 \times 40$ X 1PC



DRILL & DRILL BIT



METAL BRACKETS $12 \times 12 \times 1$ X 2PCS



LIGHT HAMMER



DRYWALL SCREW $\phi 5 \times 40$ X 1PC



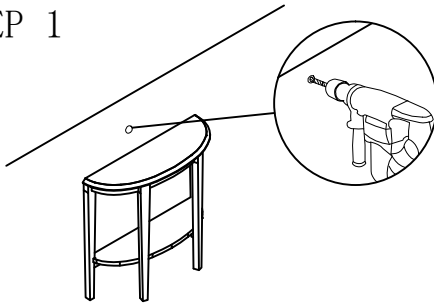
STRAP $197 \times 5 \times 1$ X 1PC



FLATHEAD SCREW $\phi 4 \times 25$ X 1PC

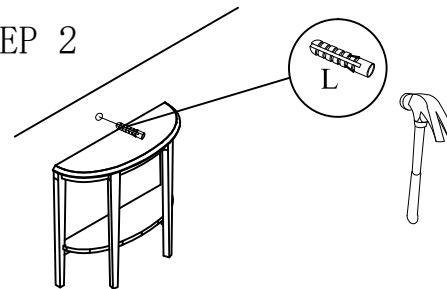
Note: Hardware included only compatible with standard drywalls.

STEP 1



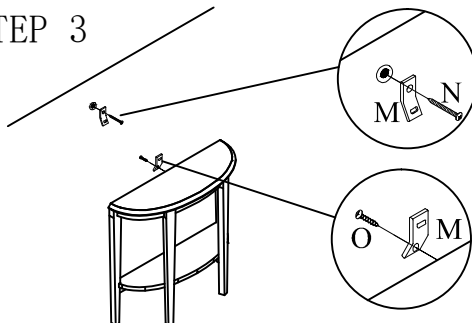
1. Find spot on wall 1" below top of item.
2. Using a drill bit slightly thinner than anchor, drill hole into drywall.

STEP 2



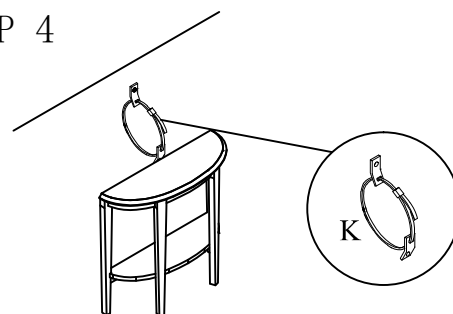
1. Use a light hammer to tap anchor into hole.
2. Anchor should fit snugly. If hole is too small, drill again to increase hole size. Do not force anchor into wall.

STEP 3



1. Insert drywall screw into metal bracket and into drywall anchor.
2. Insert flathead screw into second metal bracket and into back of item along top edge.

STEP 4



1. Insert strap thru bracket attached to wall, then thru bracket on item, and into head of strap.
2. Pull lightly til strap stops. Assembly is complete.