





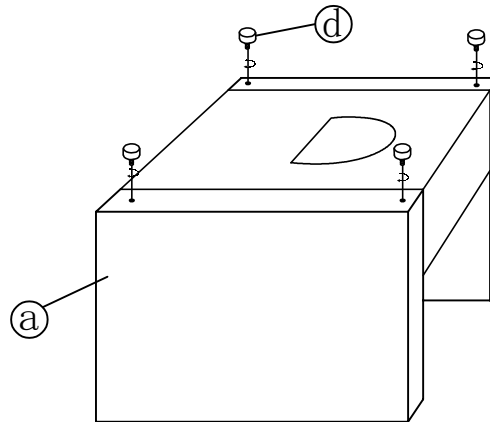
ASSEMBLY INSTRUCTION

MODEL: MB-C050-1S

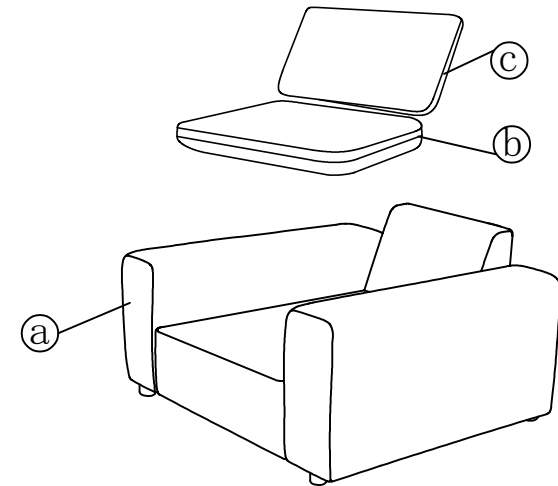
HARDWARE LIST

NO	QTY	SIZE	ITEM
(a)	1Pc		
(b)	1Pc		
(c)	1Pc		
(d)	4Pcs		

①



②



③

