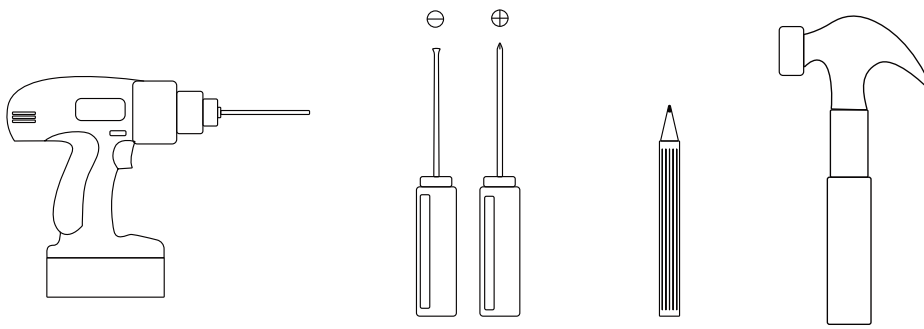
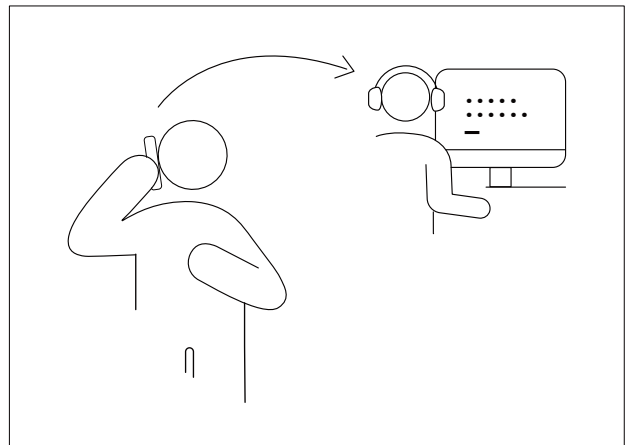
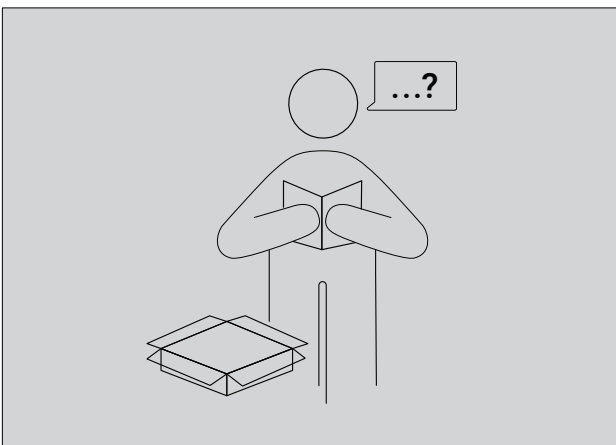
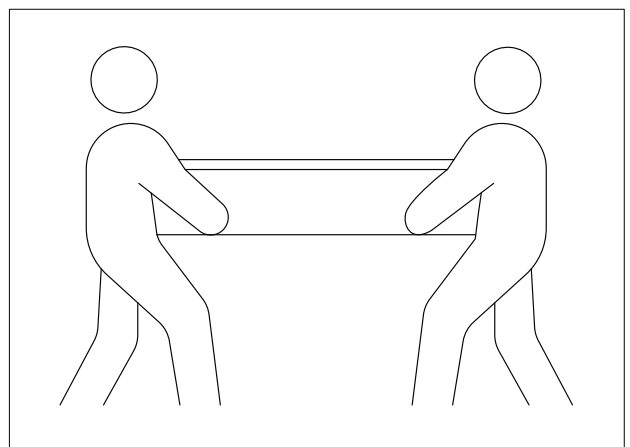
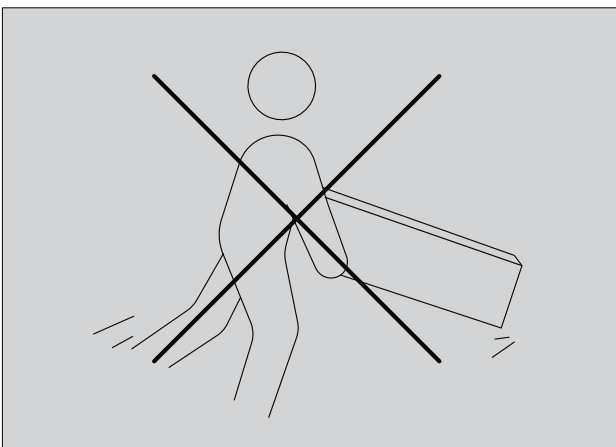
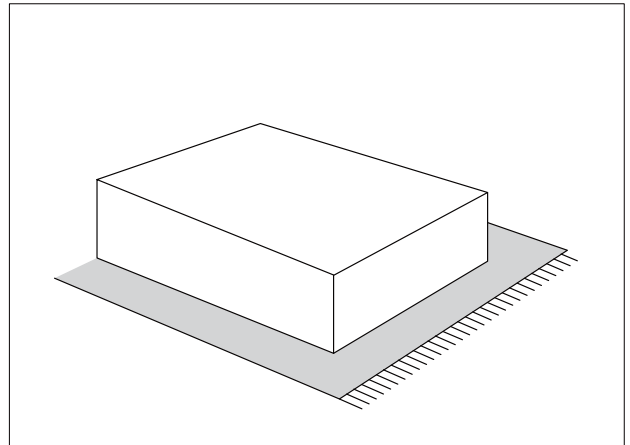
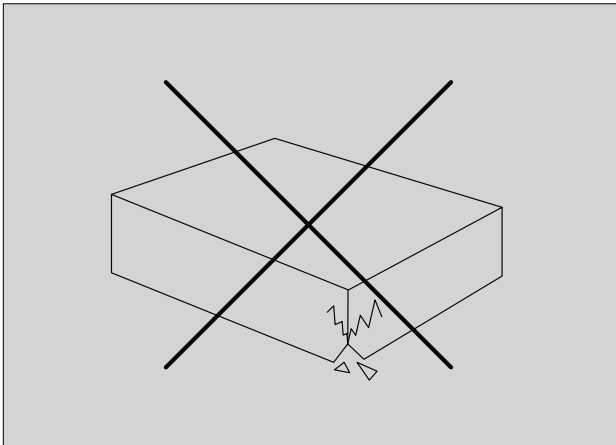


Console Table

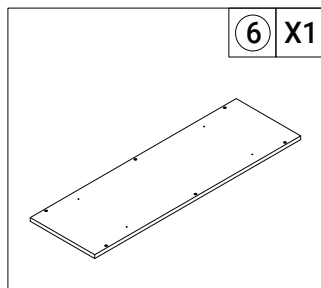
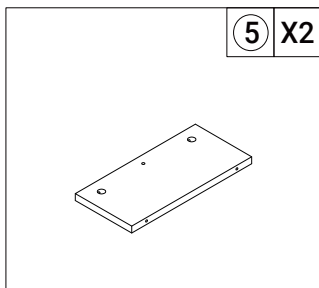
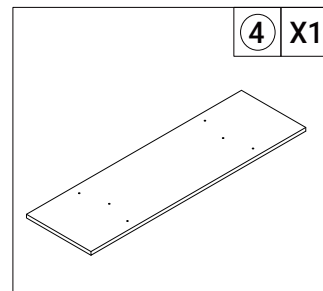
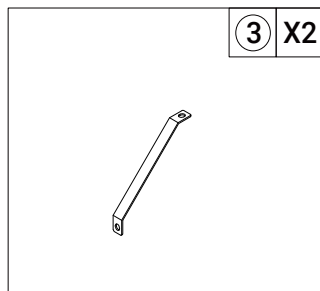
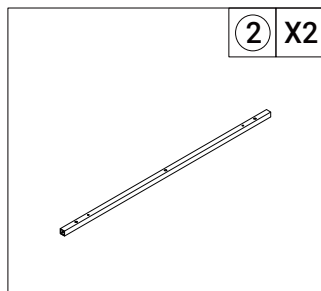
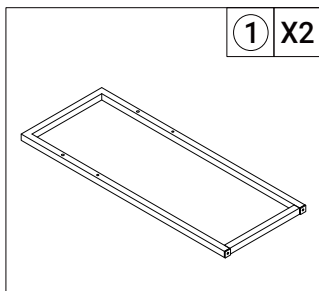
Perfectly designed with simplicity in mind



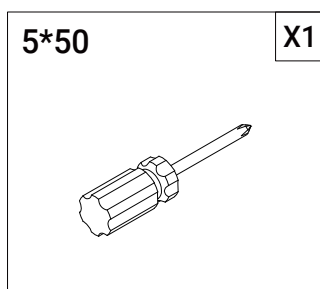
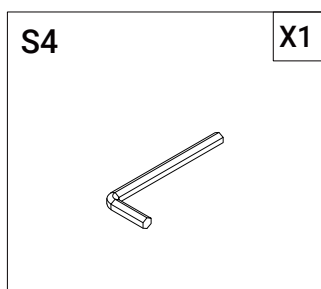
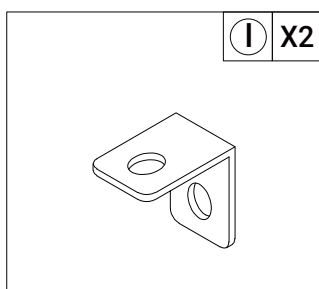
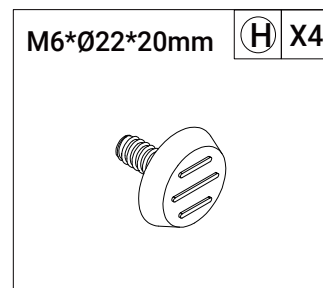
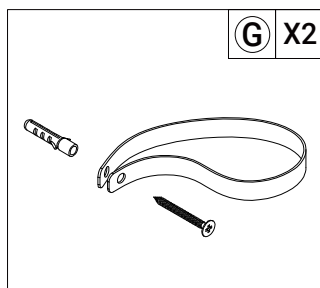
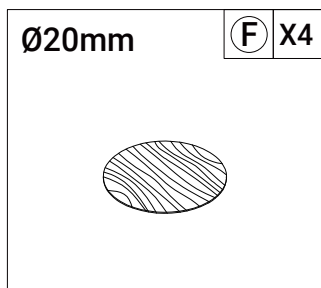
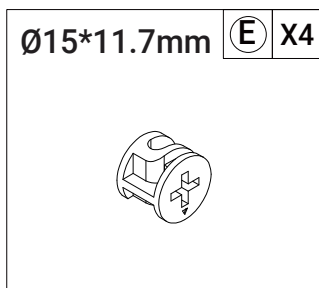
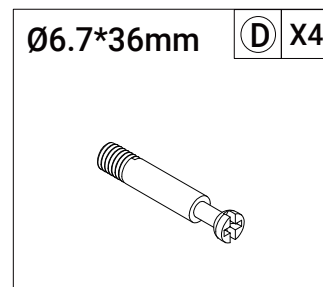
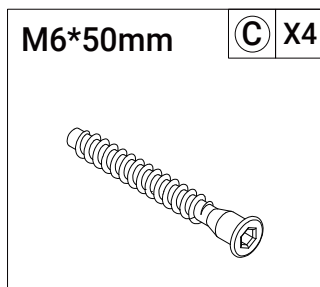
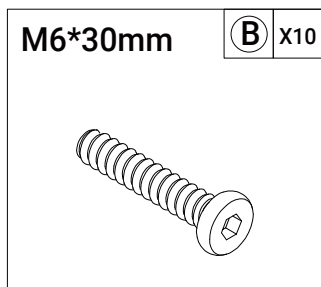
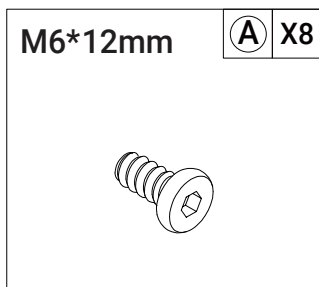
If you have these tools at home to assist you, assembly will be quicker.
If not, no worries, we have included everything required for assembly in the package.

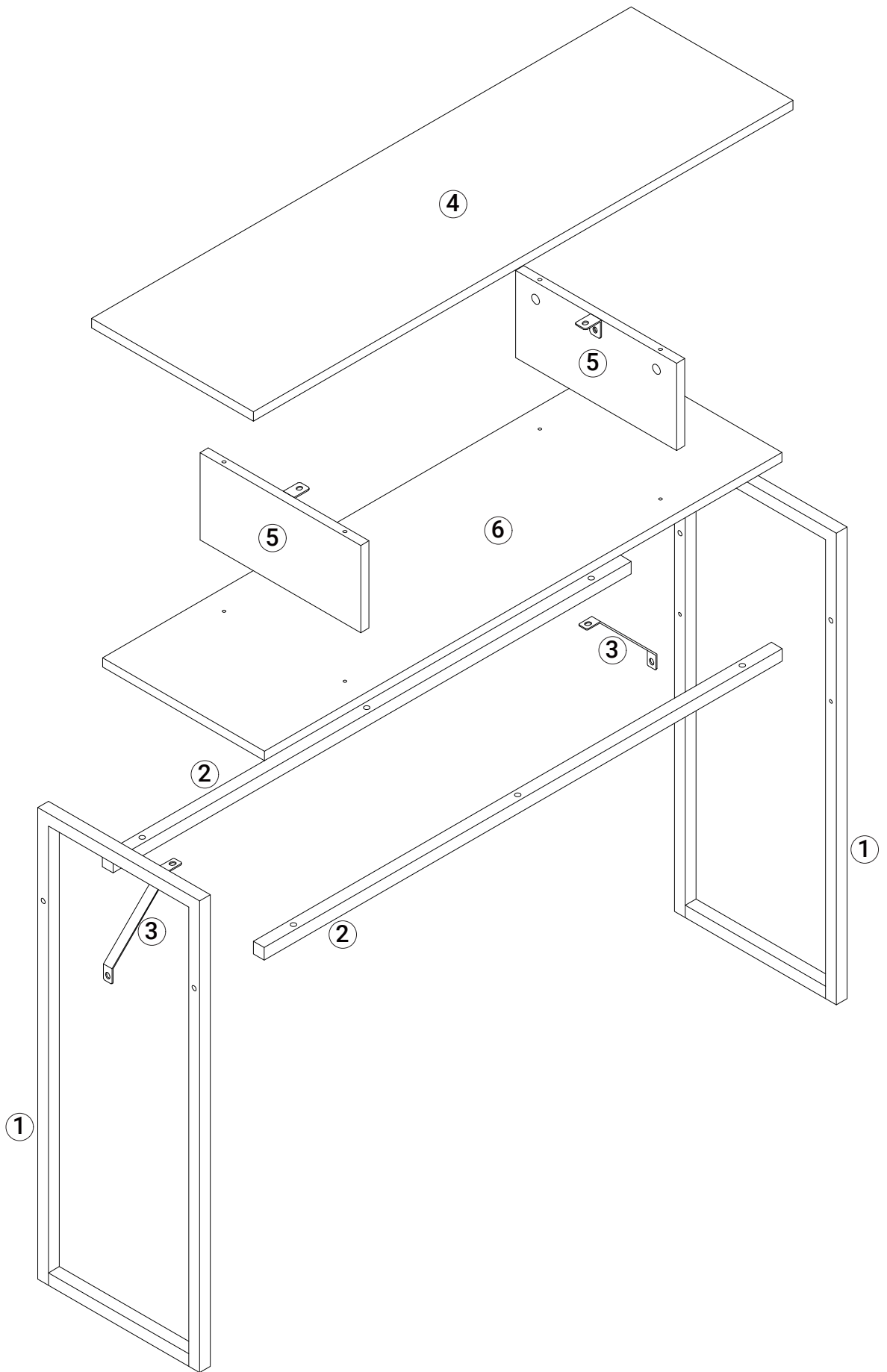


PARTS

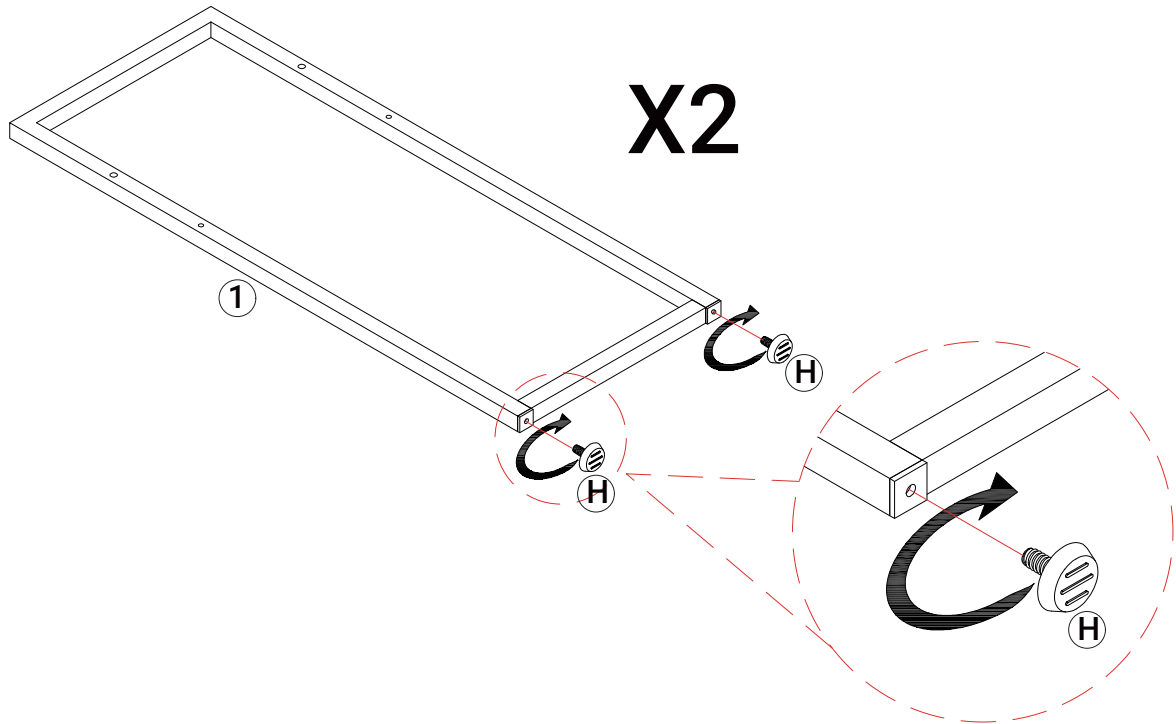
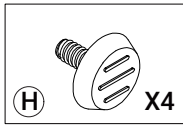


HARDWARE

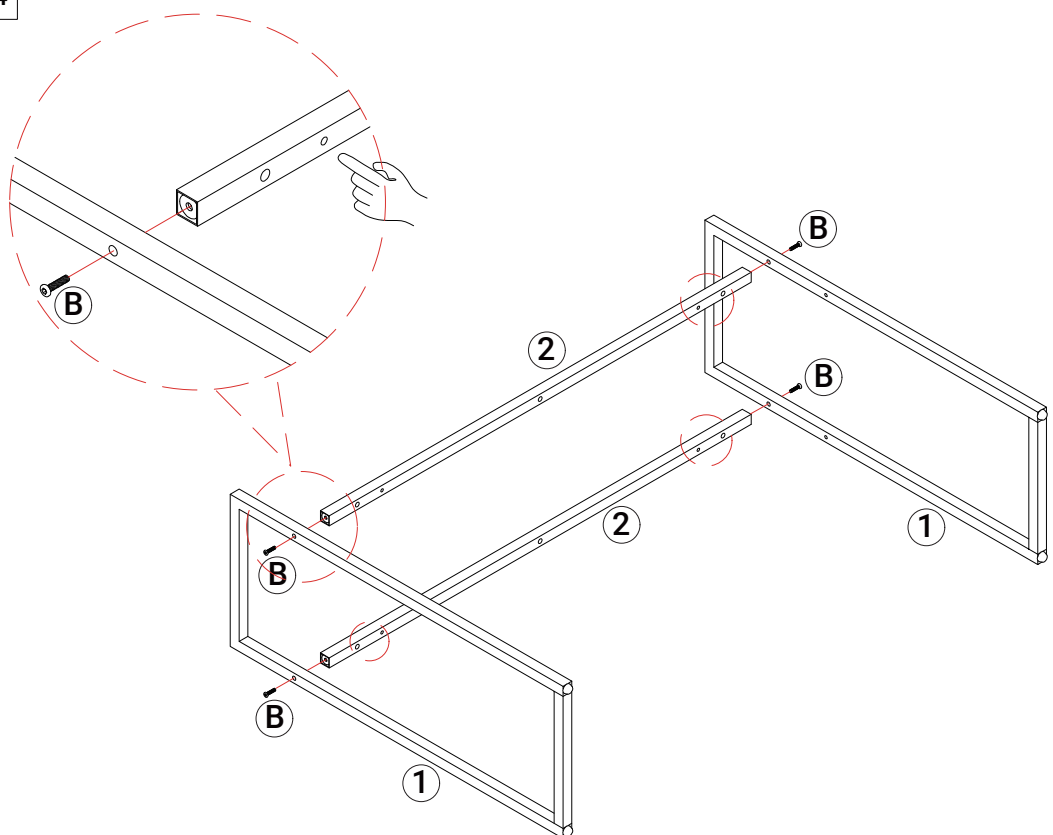
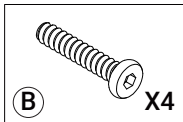




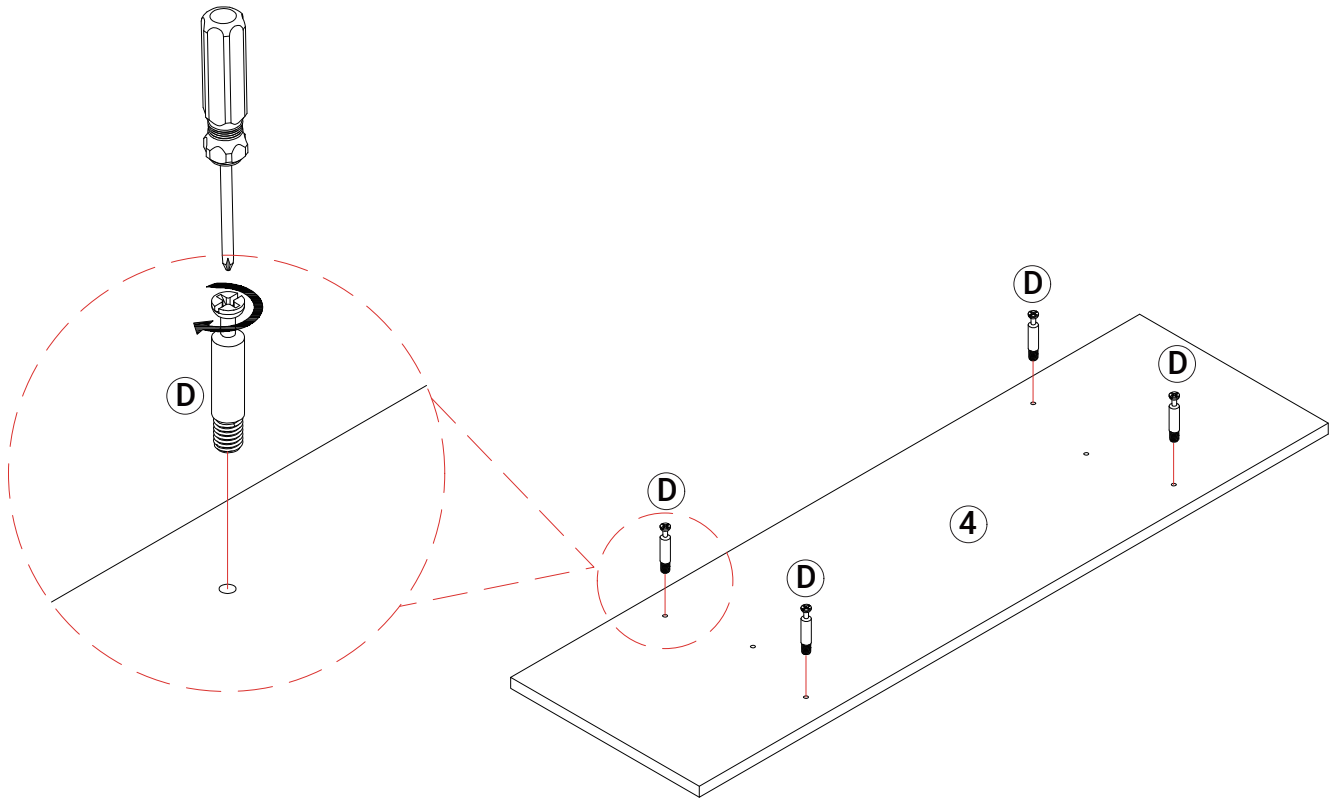
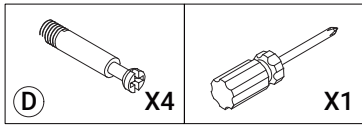
Step 1 | Let's get started. Start by securing the feet (H) to the side supports (1).



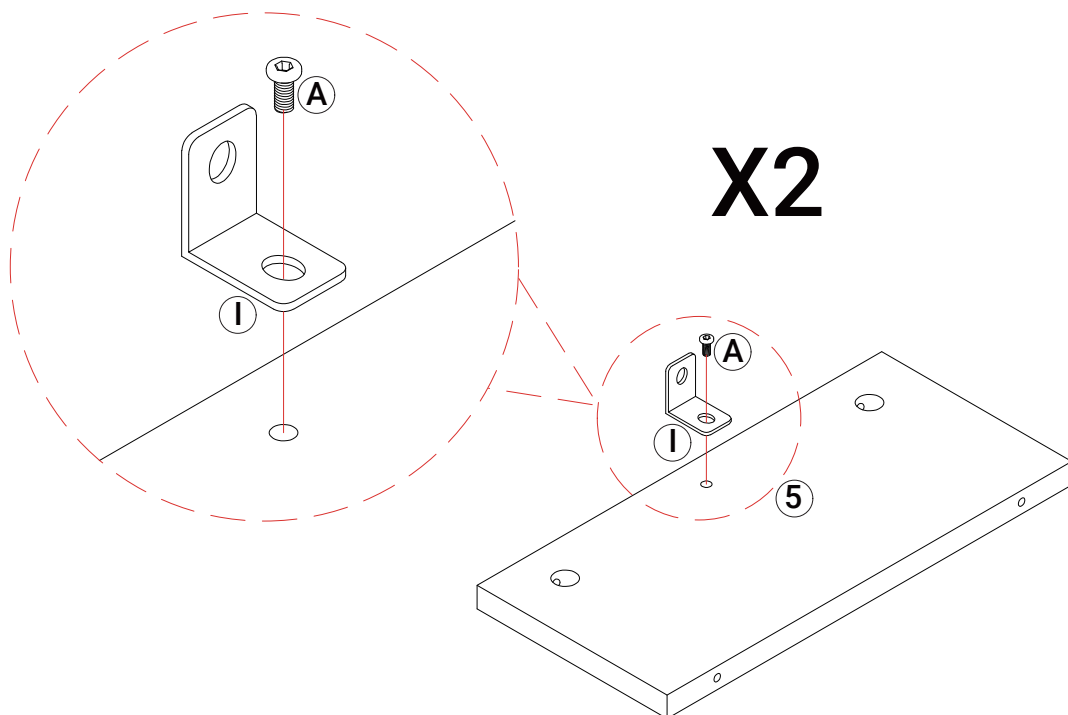
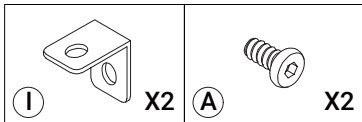
Step 2 | Next, secure the support beams (2) to the side supports (1) using 2 bolts (B) for each.



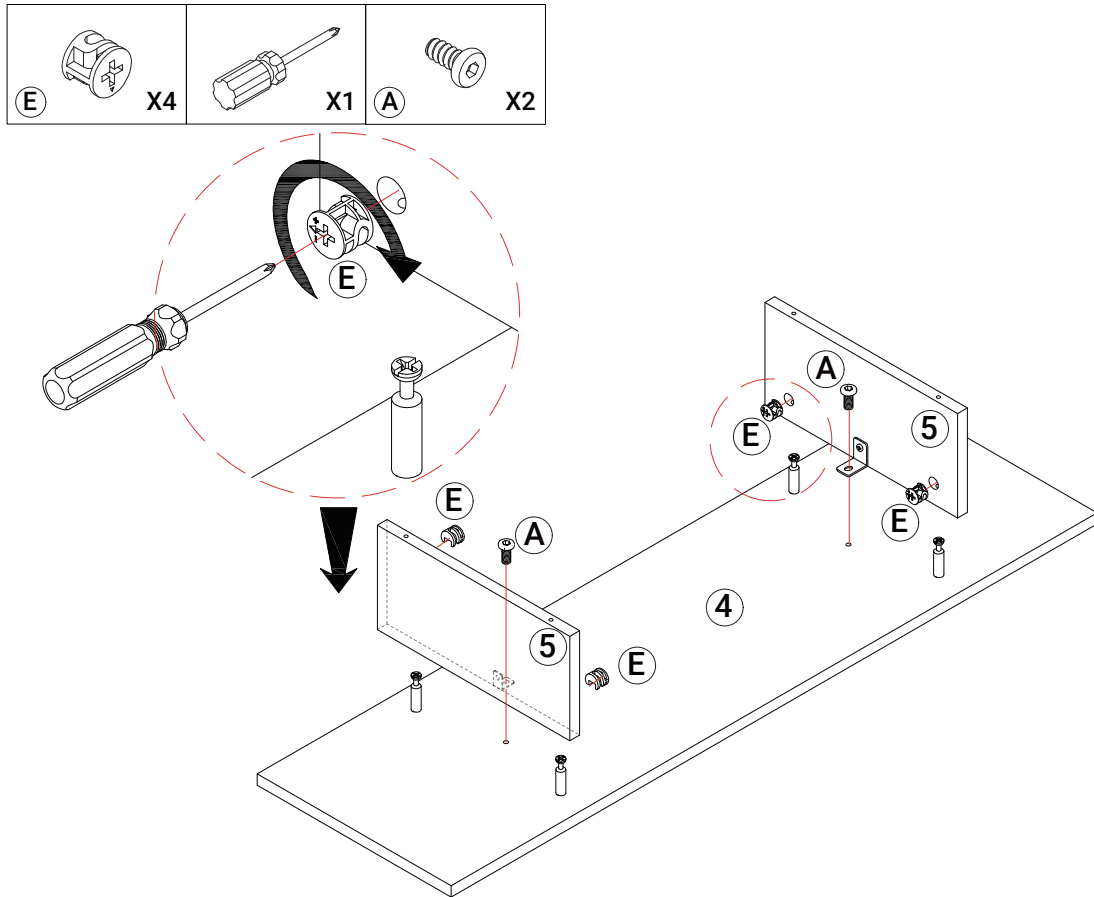
Step 3 | Next, let's build the table top. Start by placing 4 cam bolts (D) into board 4.



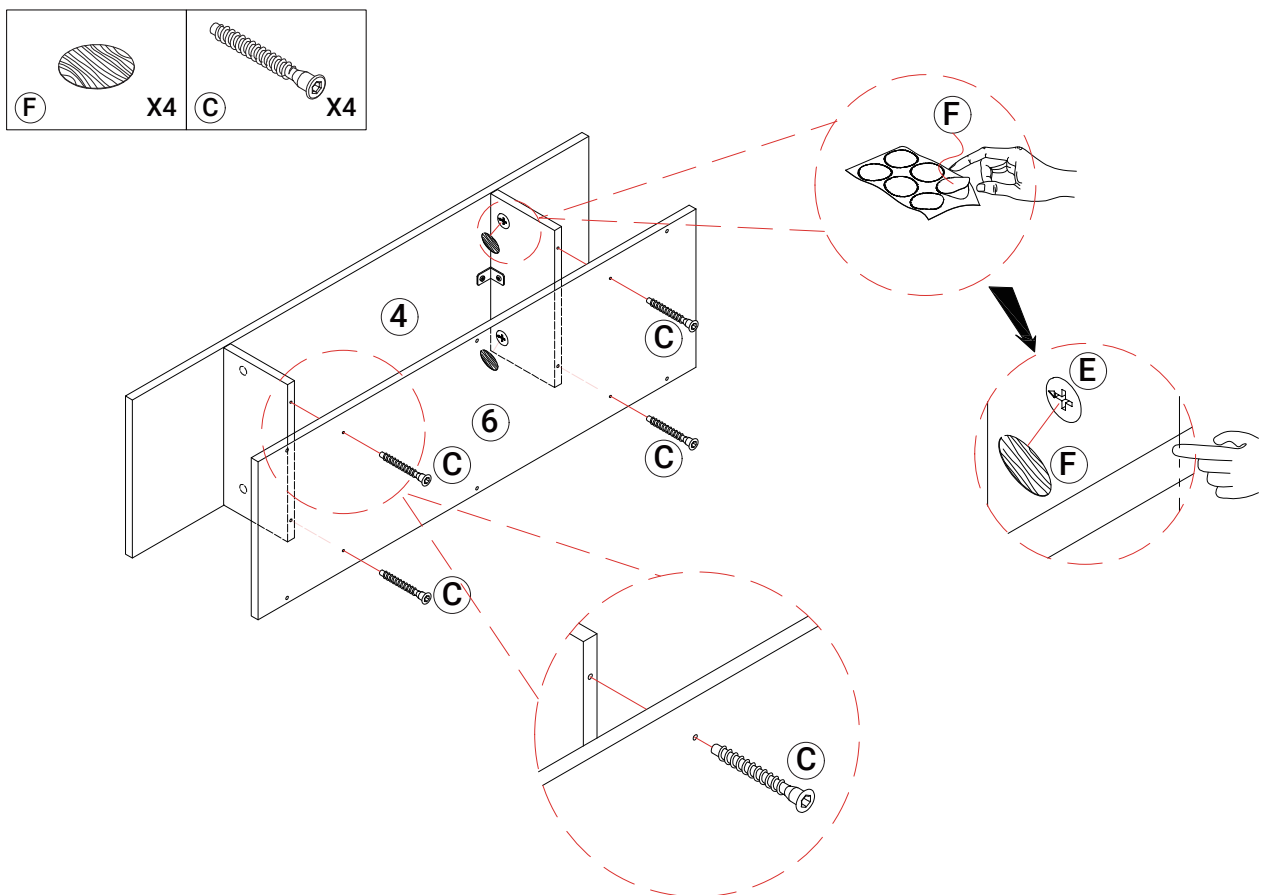
Step 4 | Then add the brackets (I) to boards 5 using 1 bolt (A) for each bracket.



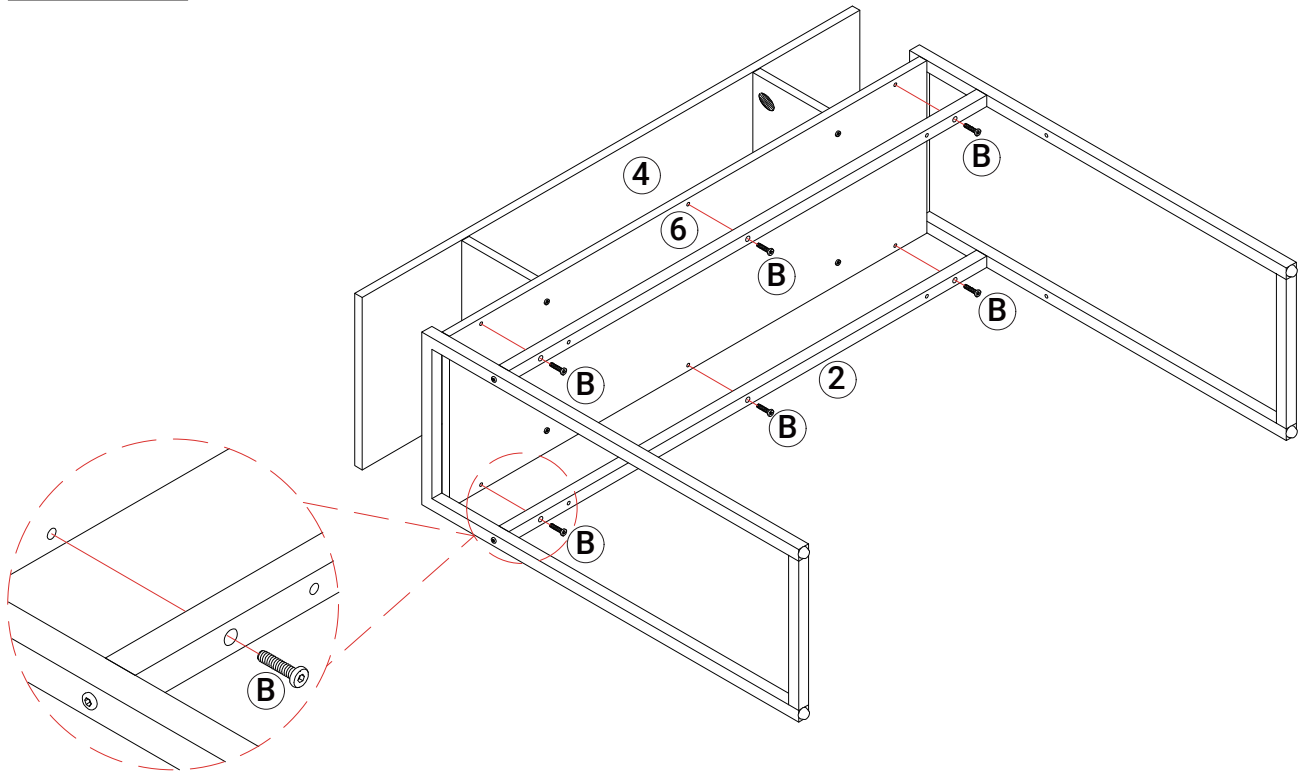
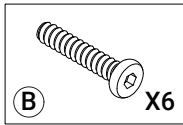
Step 5 | Next, secure boards 4 to 5 by lining the holes up with the cam bolts and locking in place with the cam locks (E). Then, secure the other side of the brackets in place with 1 bolt (A) each.



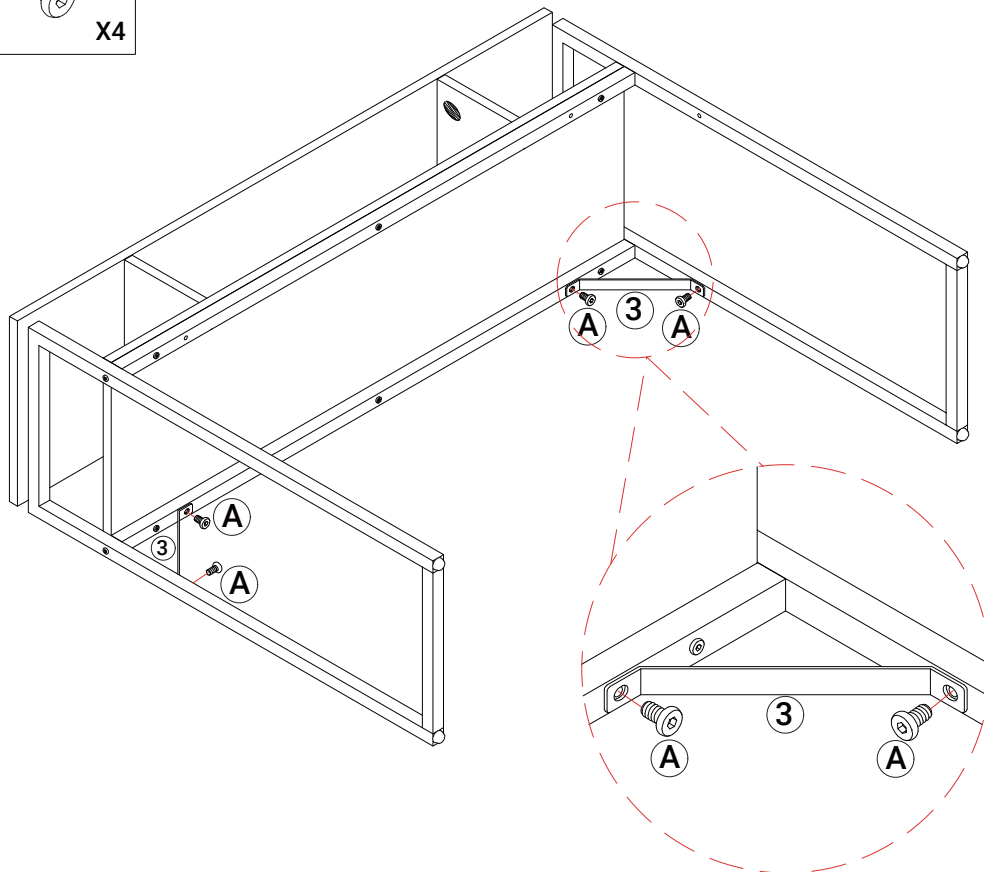
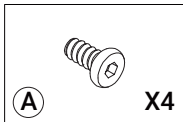
Step 6 | Next, secure board 6 to the structure using 4 bolts (C). Then cover the cam locks with the provided texture stickers (F).



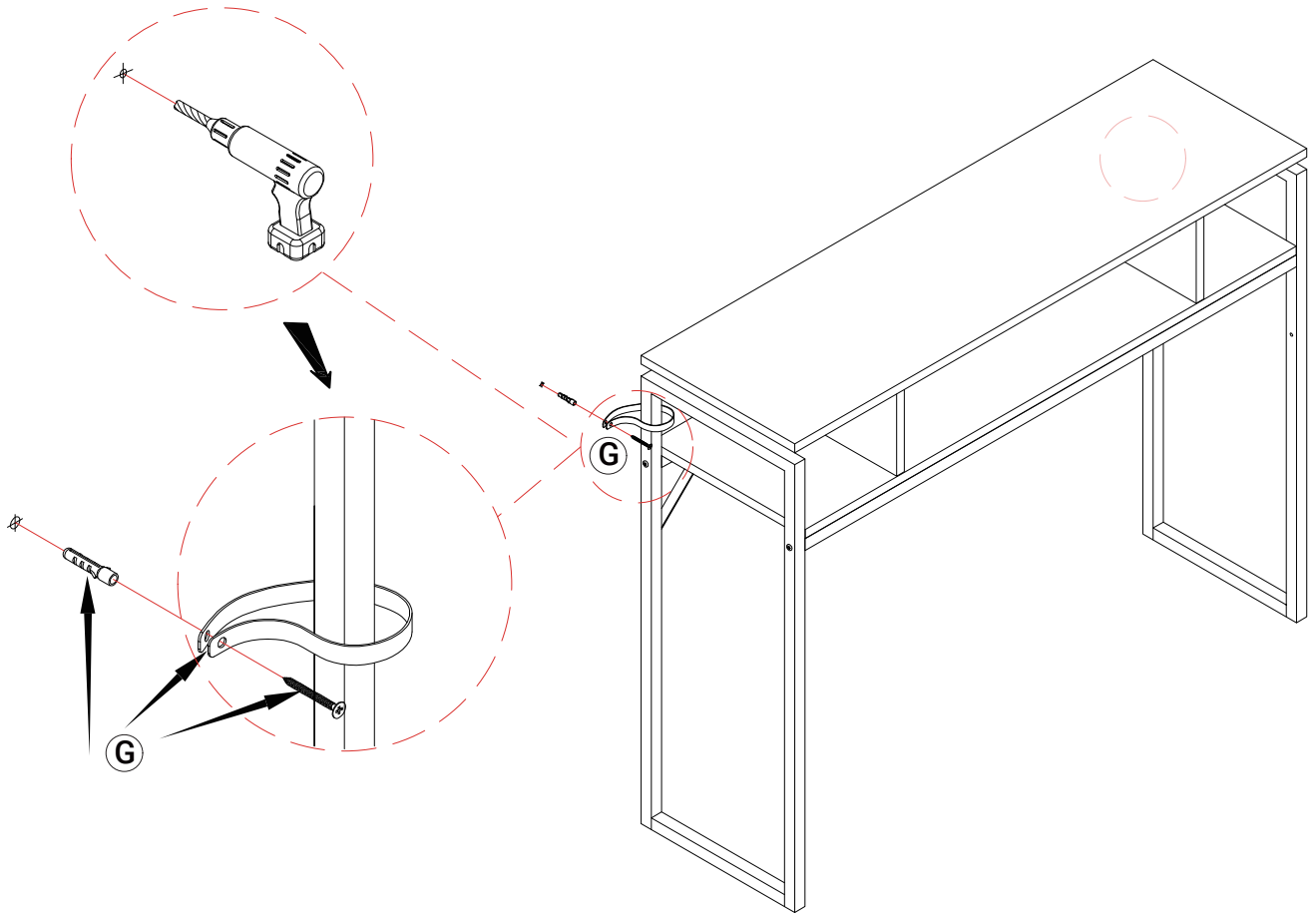
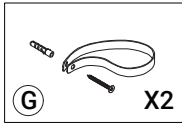
Step 7 | Next, secure the table top to the frame using 6 bolts (B).



Step 8 | Then add the support brackets (3) to the frame using 2 bolts (A) each.



Step 9 | If you are using the optional wall mounting equipment (G) attach it to the top of the table. Next, carefully measure where you want to mount the table and drill holes into the wall. Lightly hammer in the anchor and then screw the mounting equipment to the wall.



Step 10 | Now that all your hard work is done, it's time to relax and enjoy your craftsmanship!

