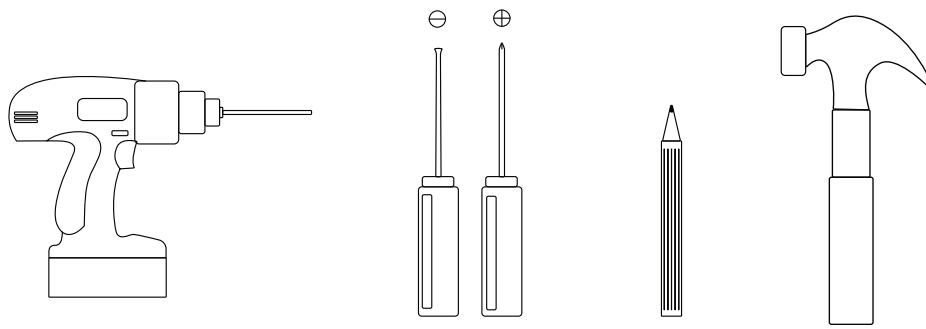
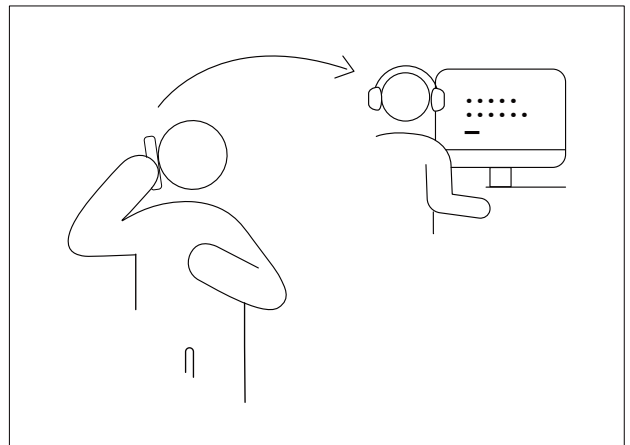
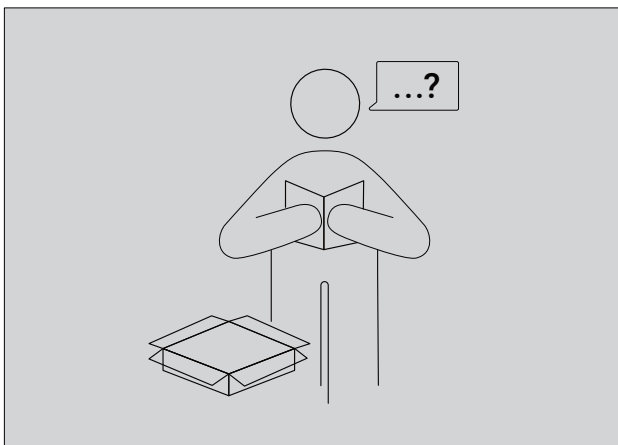
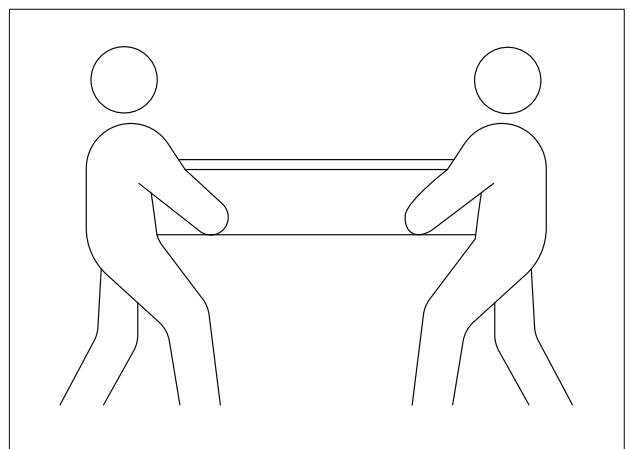
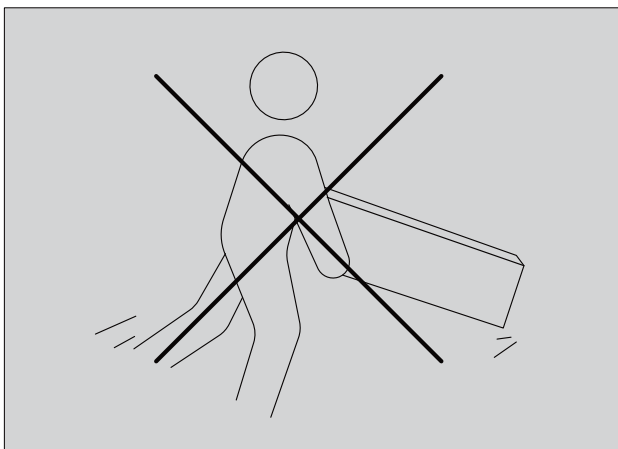
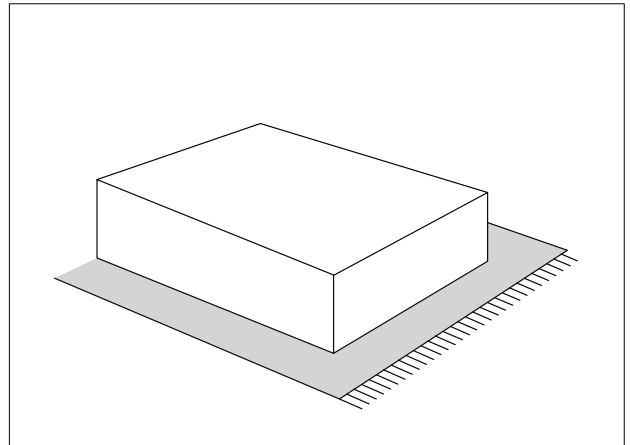
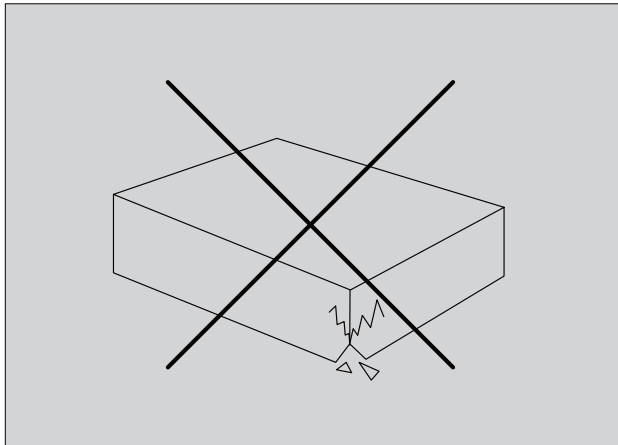


## End Table

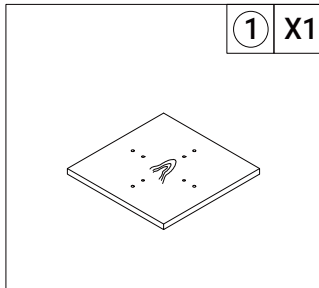
Perfectly designed with simplicity in mind



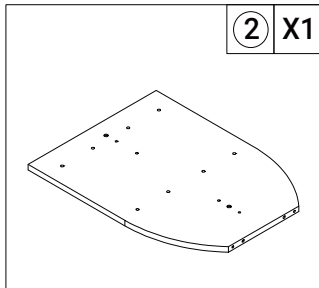
If you have these tools at home to assist you, assembly will be quicker.  
If not, no worries, we have included everything required for assembly in the package.



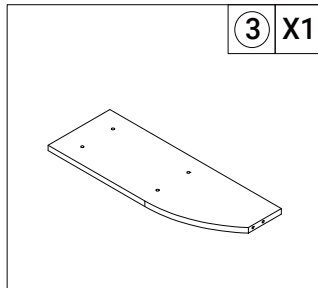
① X1



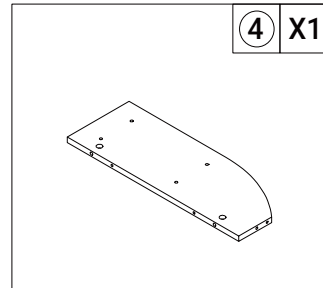
② X1



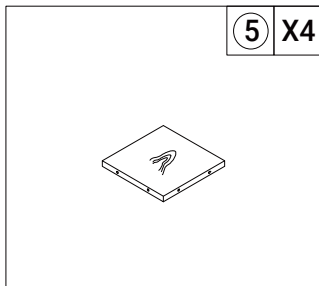
③ X1



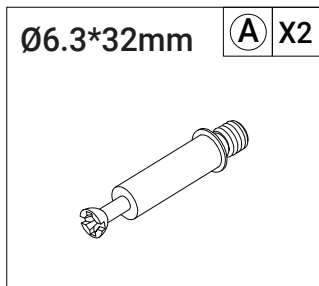
④ X1



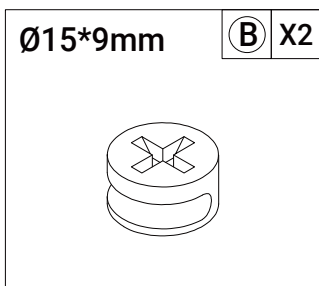
⑤ X4



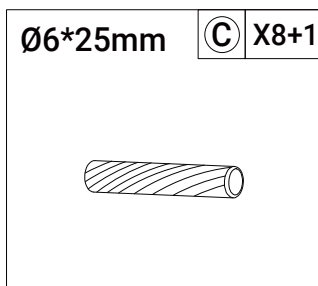
Ø6.3\*32mm ① X2



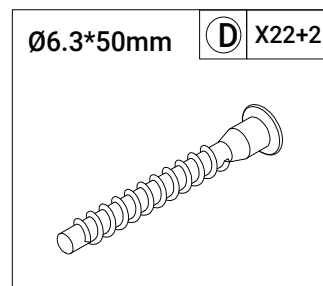
Ø15\*9mm ② X2



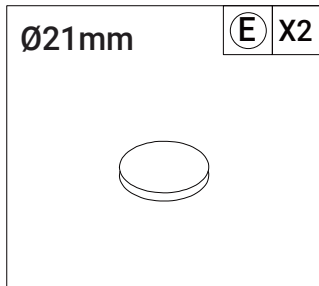
Ø6\*25mm ③ X8+1



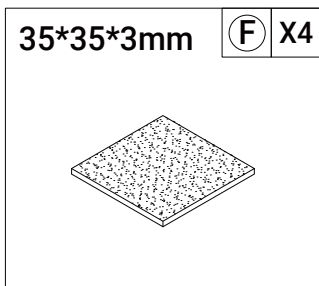
Ø6.3\*50mm ④ X22+2



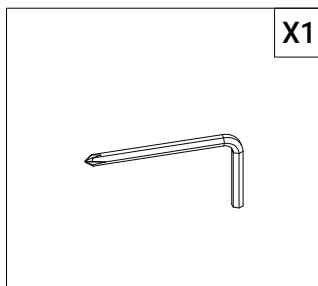
Ø21mm ⑤ X2



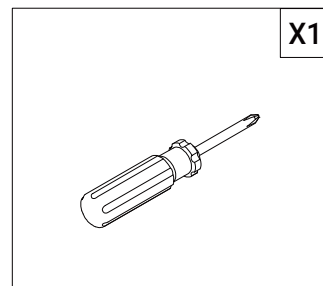
35\*35\*3mm ⑥ X4

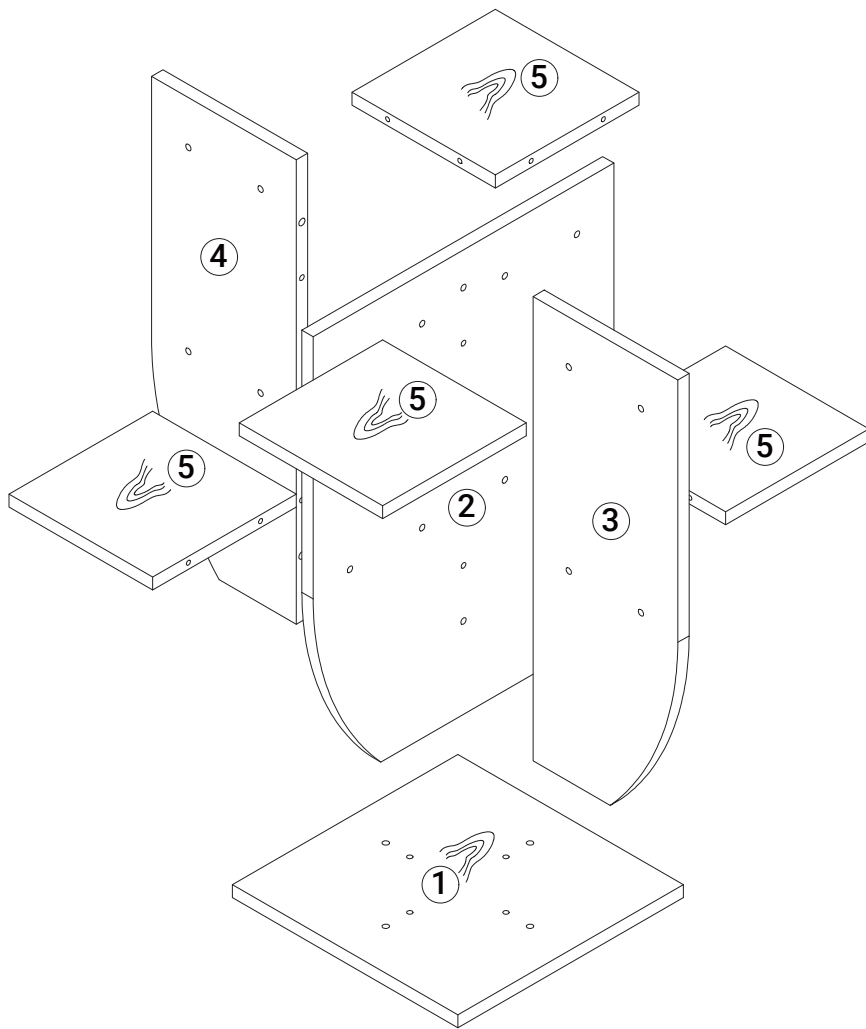


X1



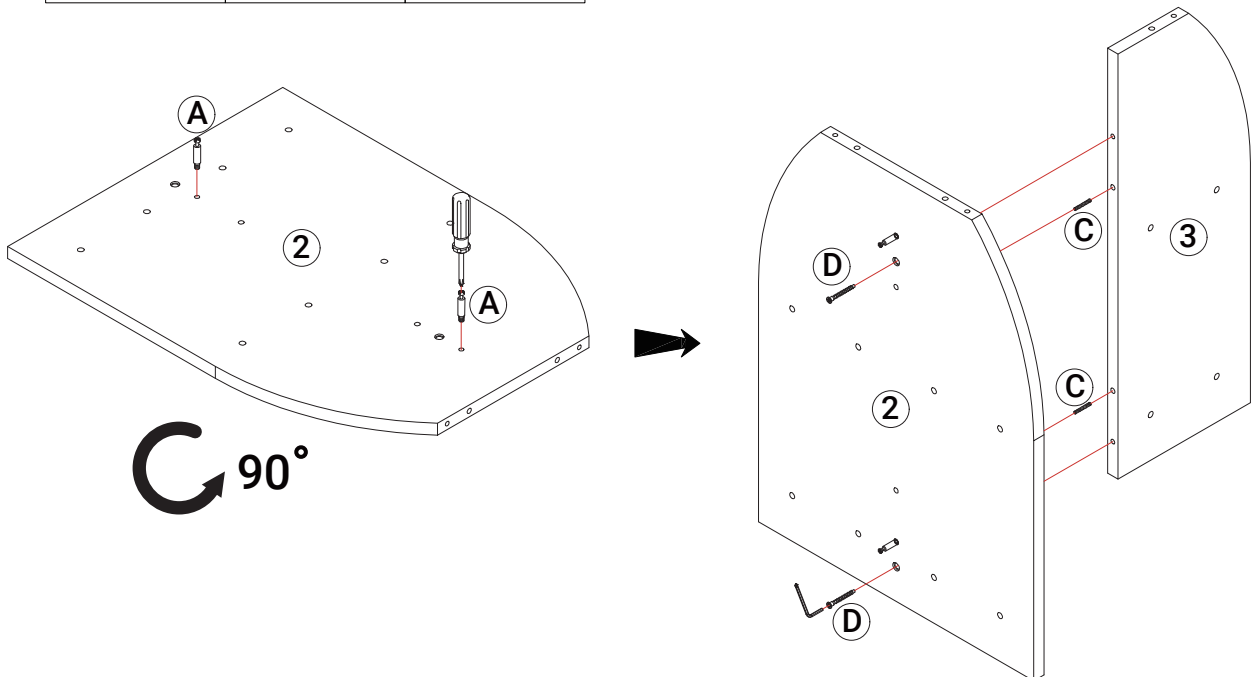
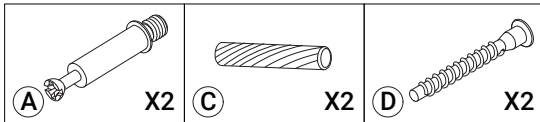
X1



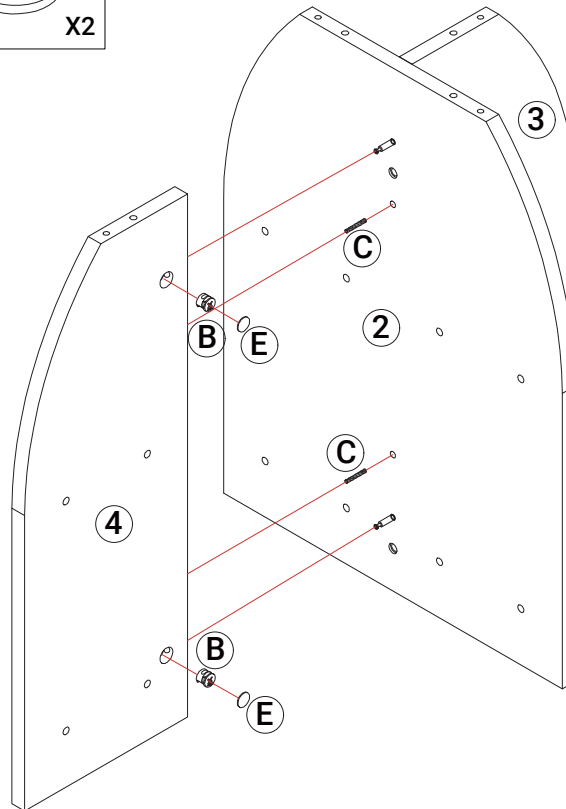
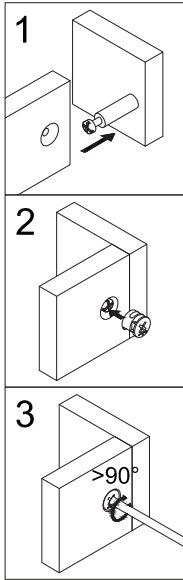
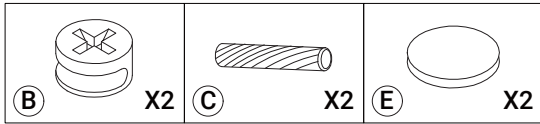


### Step 1

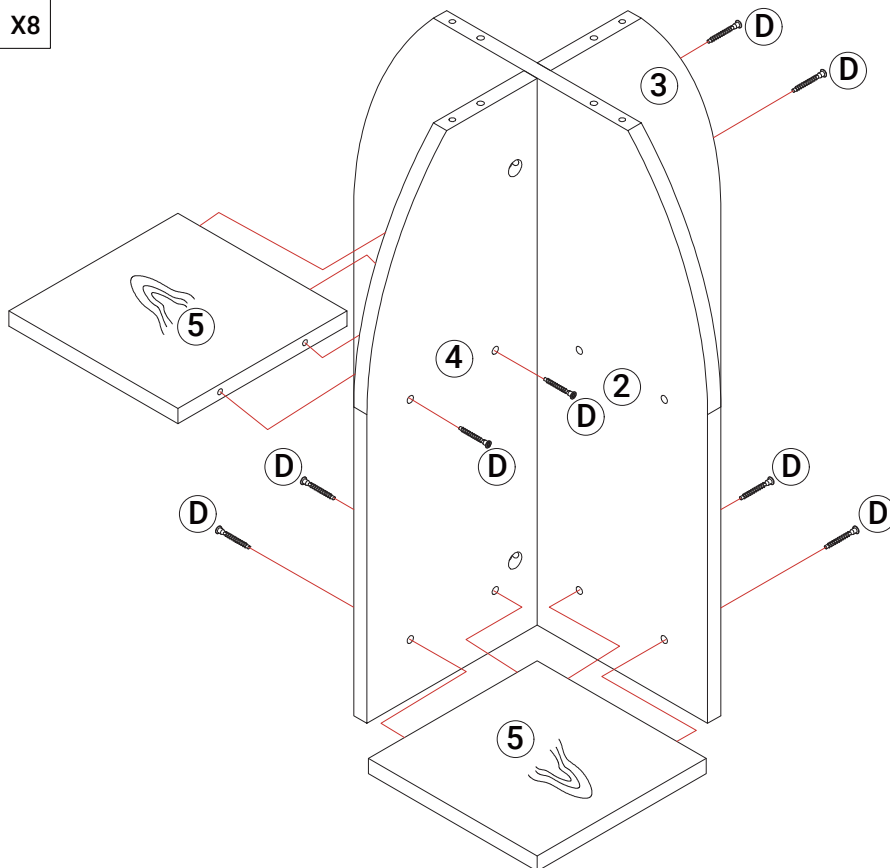
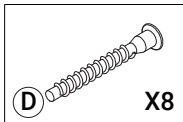
Let's get started. Start by attaching board 3 to board 2 by first placing 2 wooden dowels (C) in the inner holes of board 3, then aligning in place and securing with 2 wooden hex screws (D). Next add two can screws (A) to the other side of board 2 by referencing the image.



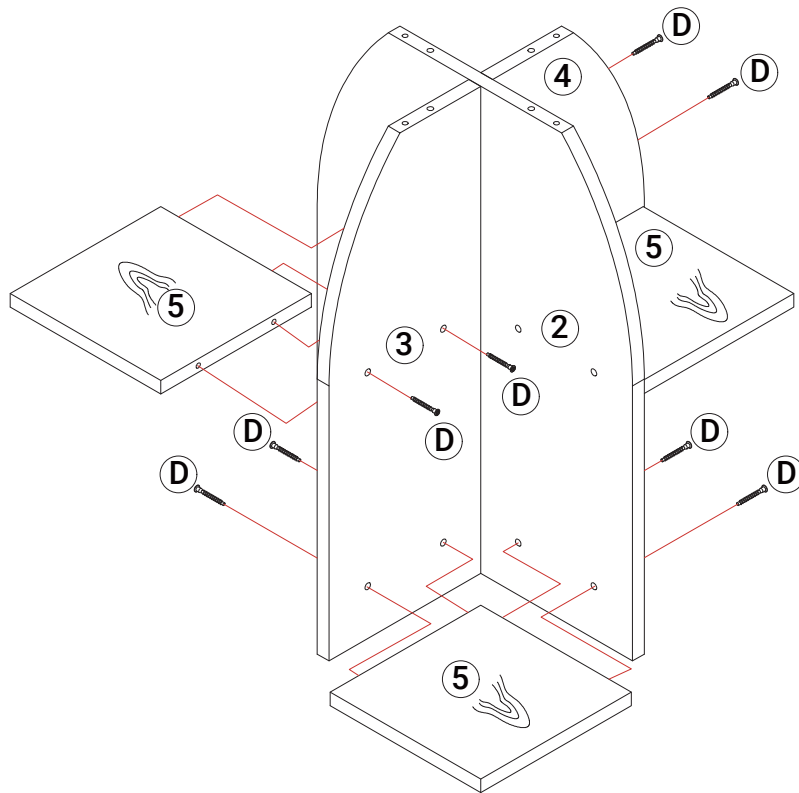
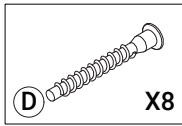
**Step 2** | Next secure board 4 in place by first placing 2 wooden dowels (C) in the interior holes, then aligning in place and finally securing with cam locks (B). Cover the cam locks with texture stickers (E).



**Step 3** | Next attach the four shelves (5) using 4 wooden hex screws (D) for each.

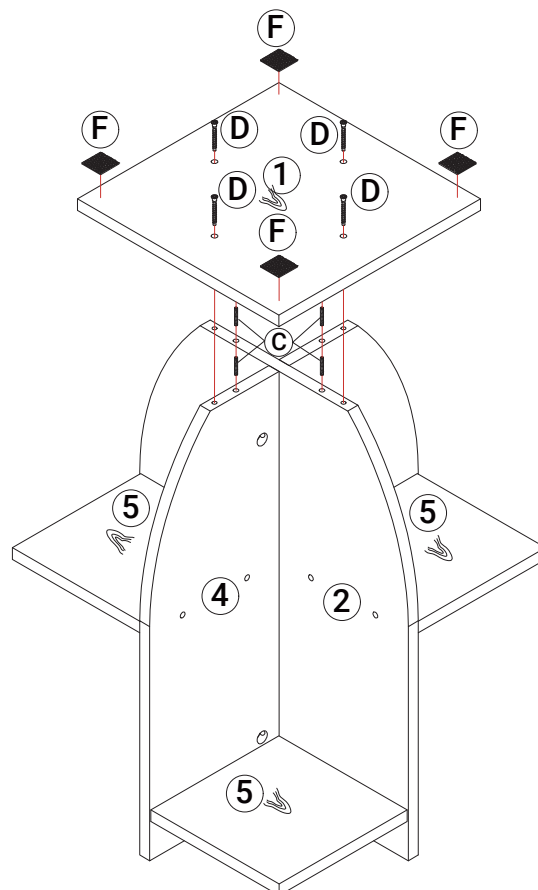
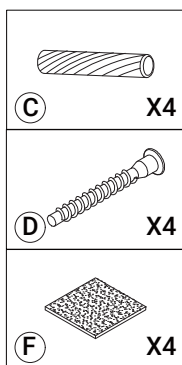


## Step 4



## Step 5

Finally, attach the bottom base by first placing 4 wooden dowels (C) into the interior holes, then securing in place with 4 wooden hex screws (D). Lastly, add the protective feet (F) to the table.



**Step 6** | Now that all your hard work is done, it's time to relax and enjoy your craftsmanship!

