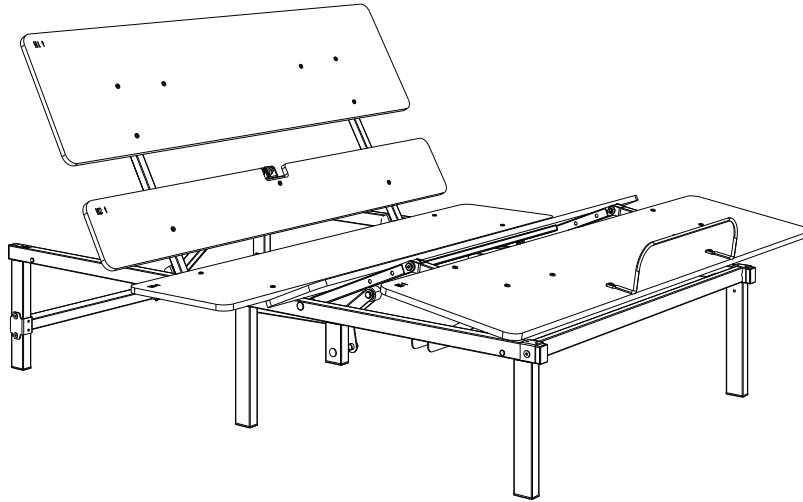


Item No.: 515-003

Installation guide



The pictures are for reference only, the actual product shall prevail.
Please read the instruction manual before installing and using the furniture.

CONTENTS

1. Instructions for use	P1
2. Product Parameters	P2
3. Installation Preparation/Accessoru Bag	P3
4. Component List	P4
5. Installation Guide	P5-P13
6. Remote Control Functional Specification	P14
7. Electrical Configuration Diagram	P15
8. Troubleshooting	P16-P17
9. Attention	P18-P19

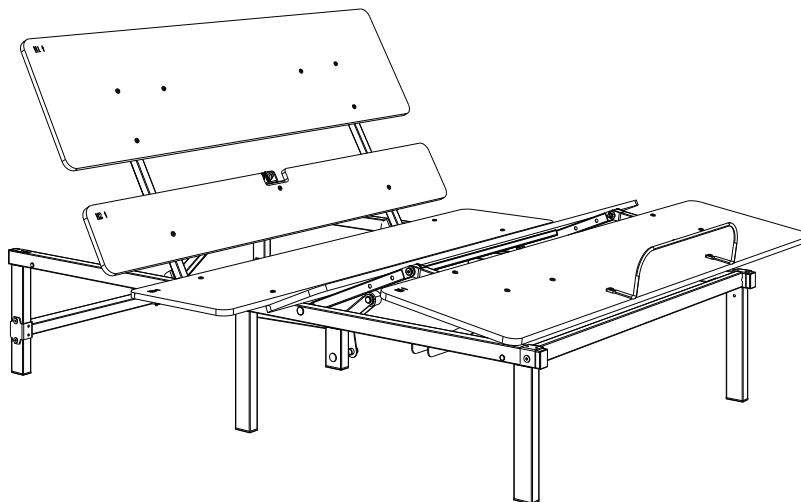
Instructions for use

Main Material

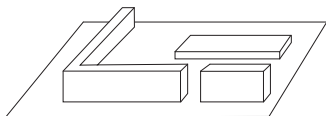
Main Material	Application site
Carbon steel pipe	Base frame
Plastic	Electrical appliance casings, pipe plugs
Fabric	Bed board
Wood board	Bed board

Product Parameters

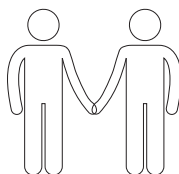
Product name	Electric bed				
Item No.	515-003				
Bed size	38.2"x79.9" / 970mmx2030mm				
Max. weight of the mattress	88lbs / 40kg	Back angle	0°~60°	Leg angle	0°~35°
Max. user weight	511lbs / 232kg	Max. load-bearing capacity	600lbs / 272kg	Noise	< 55dB
Input power	AC100V~240V				



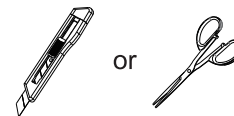
Installation Preparation



Install on carpet to prevent scratches.








Need two or more people to cooperate together.

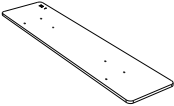
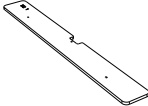


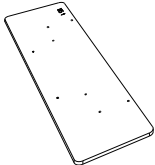

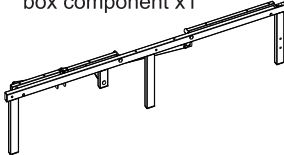
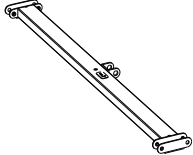
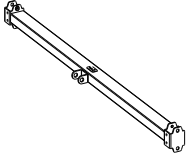
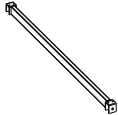

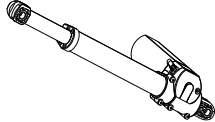
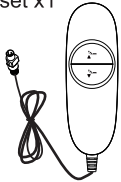



Knife or scissors. (prepared by customer)

Accessory Bag

				
Ax12	Bx17	Cx2	5x5 Dx1	4x4 Ex1

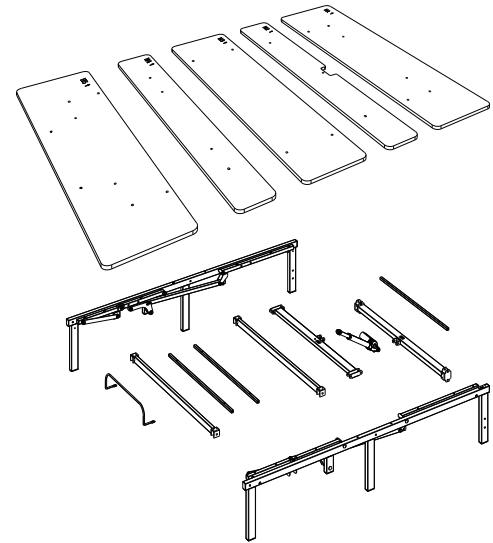
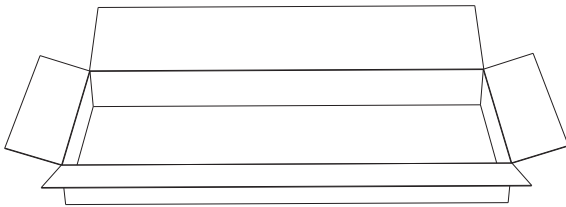
Component List

<p>1 Wooden Board H1 x1</p> 	<p>2 Wooden board H2 x1</p> 	<p>3 Wooden Board H3 x1</p> 	<p>4 Wooden board H4 x1</p> 
<p>5 Wooden Board H5 x1</p> 	<p>6 The left bottom box component x1</p> 	<p>7 The right bottom box component x1</p> 	<p>8 Support slide rail assembly x1</p> 
<p>9 Bearing assembly x1</p> 	<p>10 Beam assembly x2</p> 	<p>11 Mattress stop lever x1</p> 	<p>12 Motor x1</p> 
<p>13 Handset x1</p> 	<p>14 Adapter x1</p> 		

Installation Guide

STEP 1

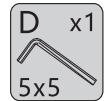
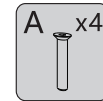
- a Please open the box lid, cut off all the white cable ties, take out the bed and make sure not to puncture the box with any sharp objects.
- b Place the bed frame on a clean and flat surface (as shown in the picture).
- c Remove all the accessories from the package.




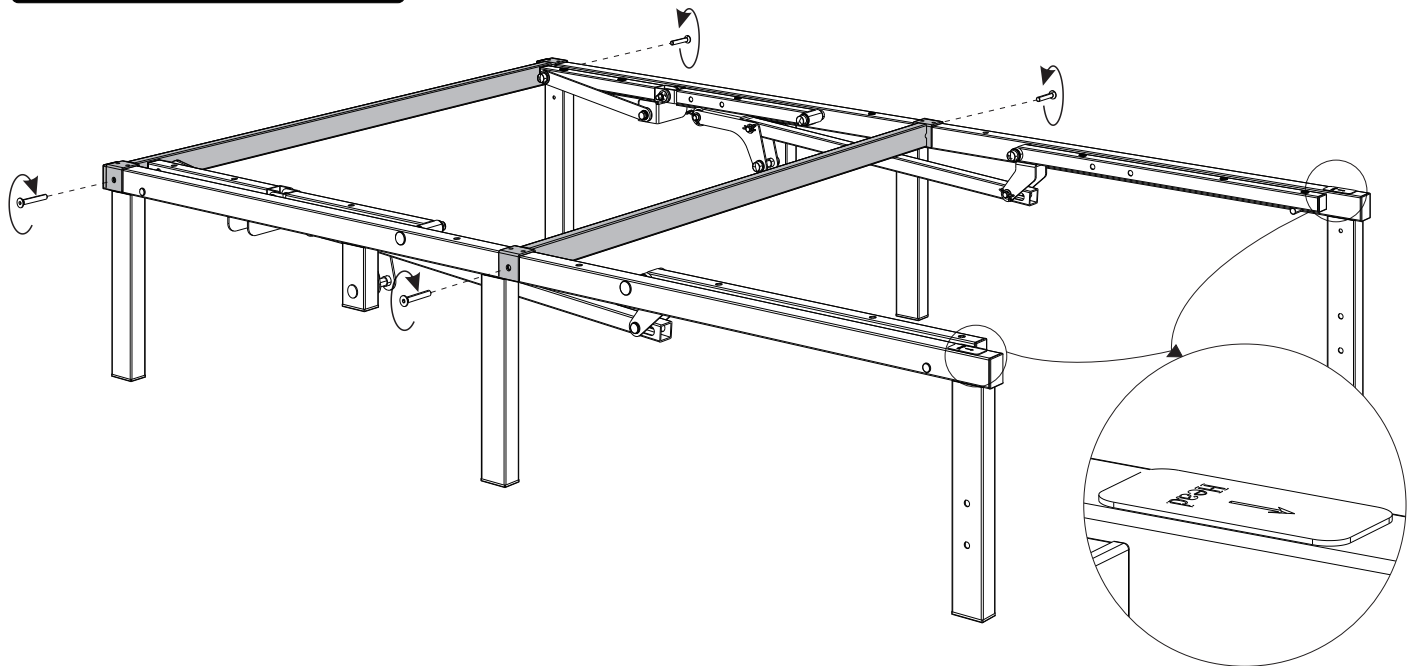
<The picture only shows the installation steps,
the product is subject to the actual product>

STEP 2

As shown in the figure, install the two crossbeam assemblies at the corresponding positions of the left and right frame assemblies, align them, and then tighten them with screws



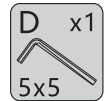
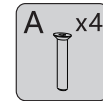
 Please note that the directions of the stickers should be kept consistent



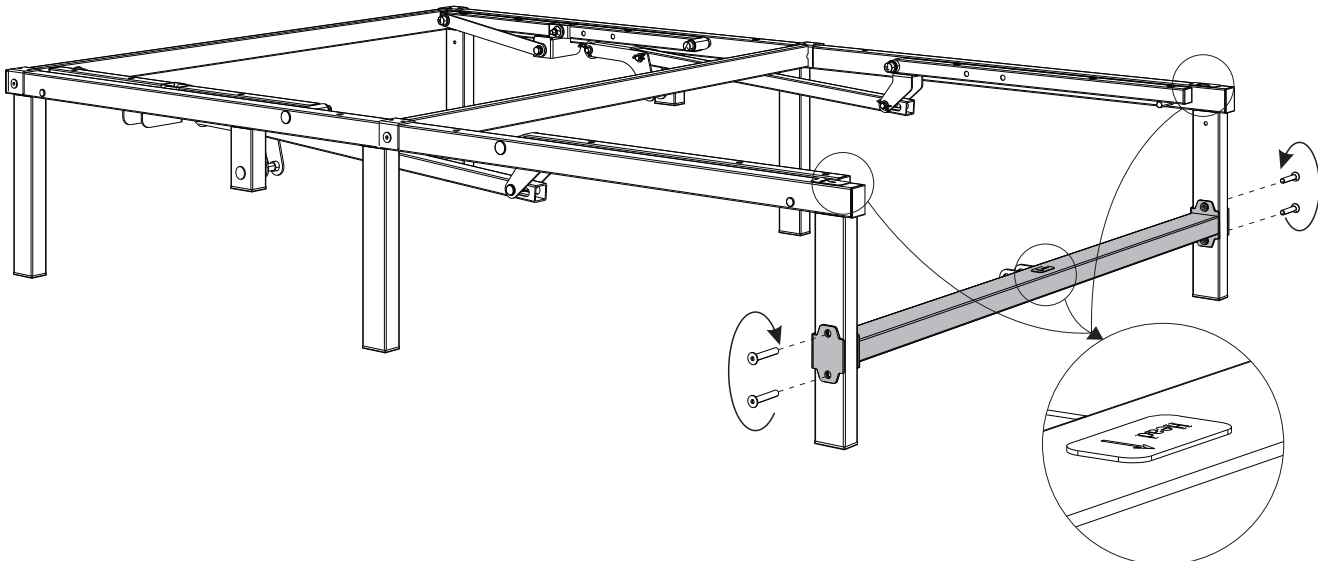
<The picture only shows the installation steps, the product is subject to the actual product>

STEP 3

As shown in the figure, install the support assembly on the left and right bed frame assemblies and tighten them with screws




Please note that the directions of the stickers should be kept consistent

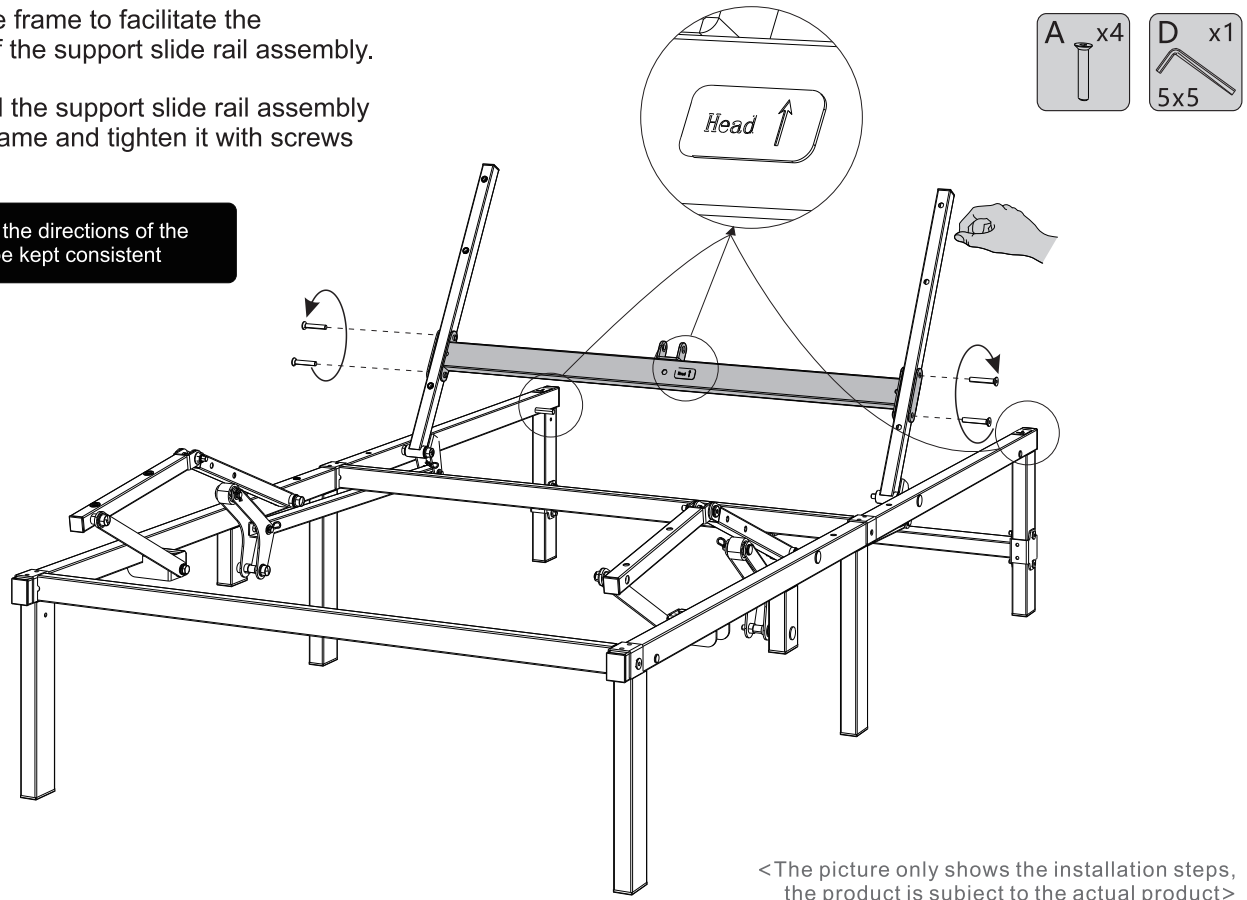


<The picture only shows the installation steps, the product is subject to the actual product>

STEP4

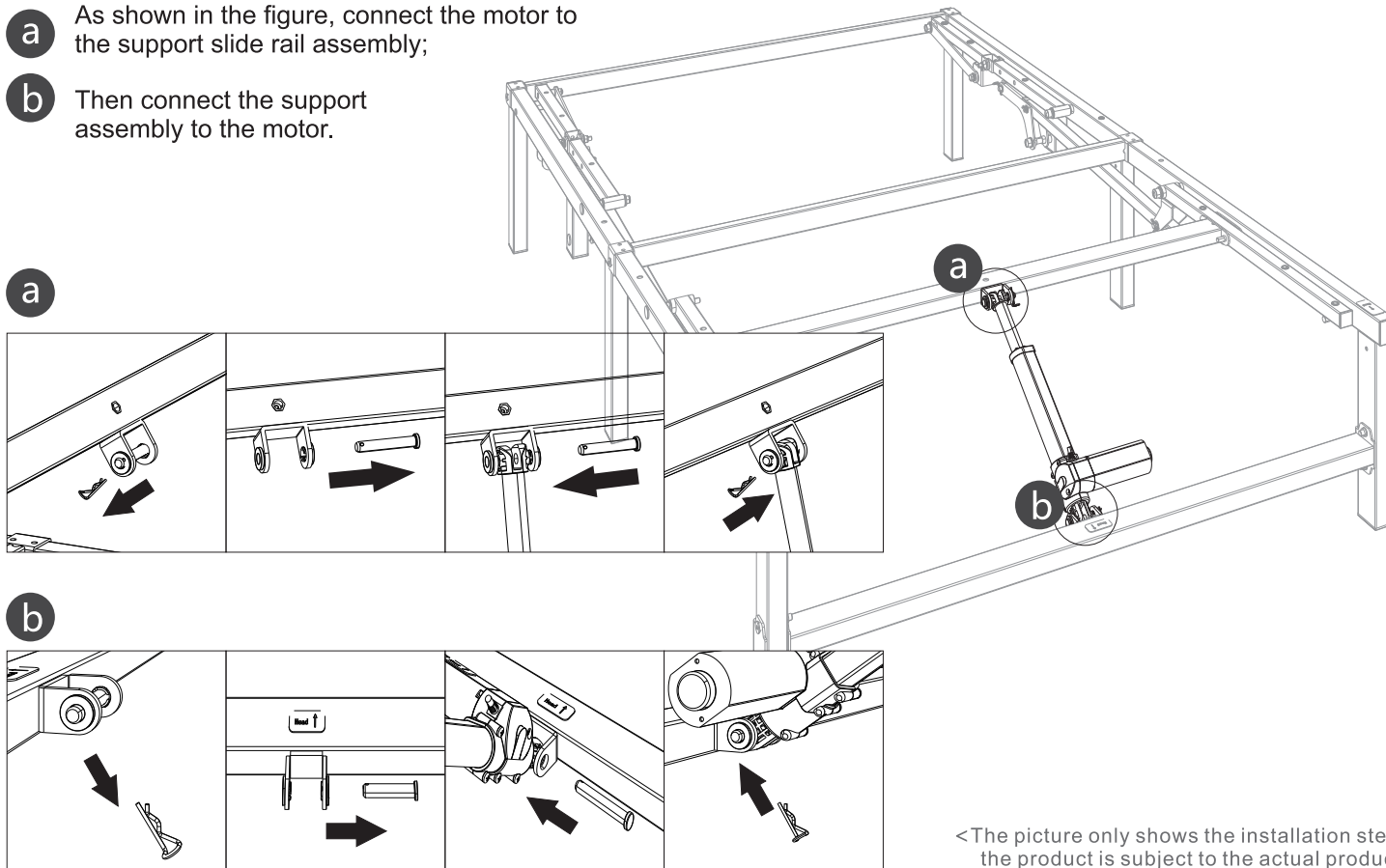
- a Please lift the frame to facilitate the installation of the support slide rail assembly.
- b Please install the support slide rail assembly on the bed frame and tighten it with screws

 Please note that the directions of the stickers should be kept consistent



STEP5

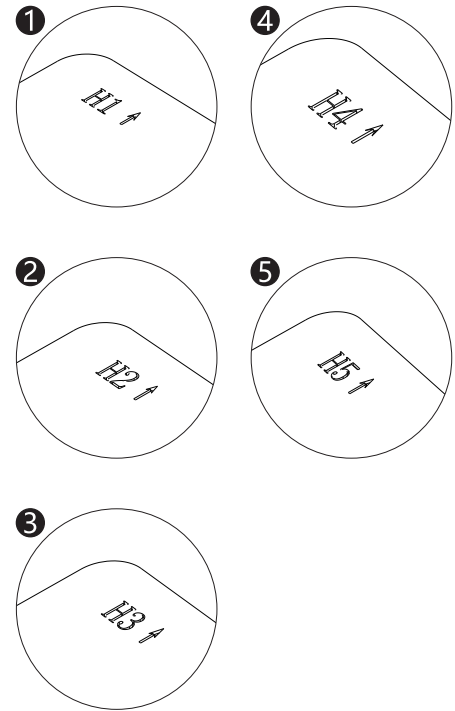
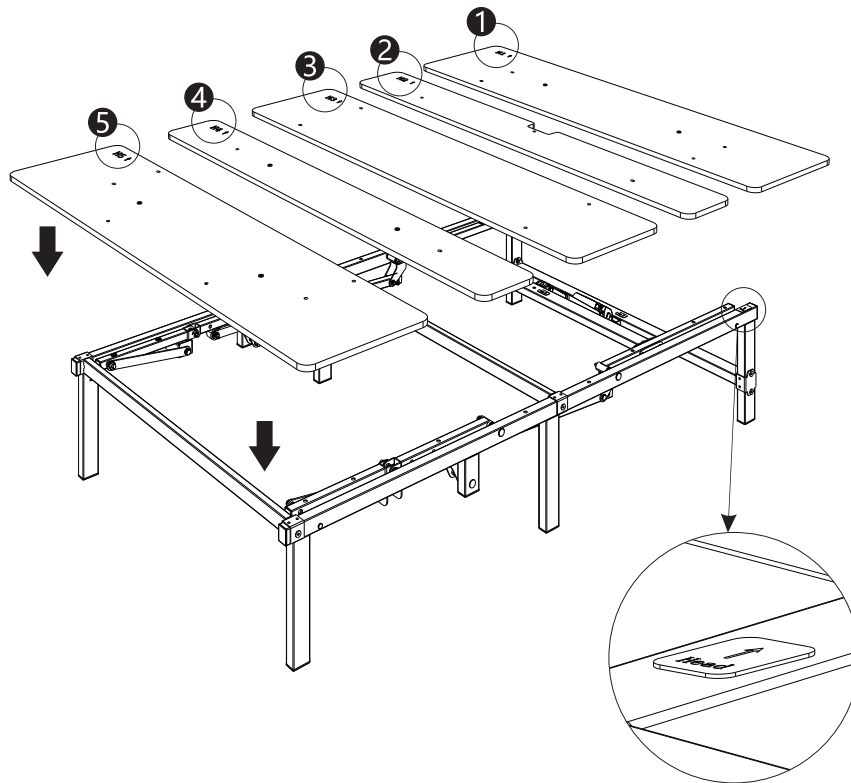
- a** As shown in the figure, connect the motor to the support slide rail assembly;
- b** Then connect the support assembly to the motor.



<The picture only shows the installation steps, the product is subject to the actual product>

STEP6-1

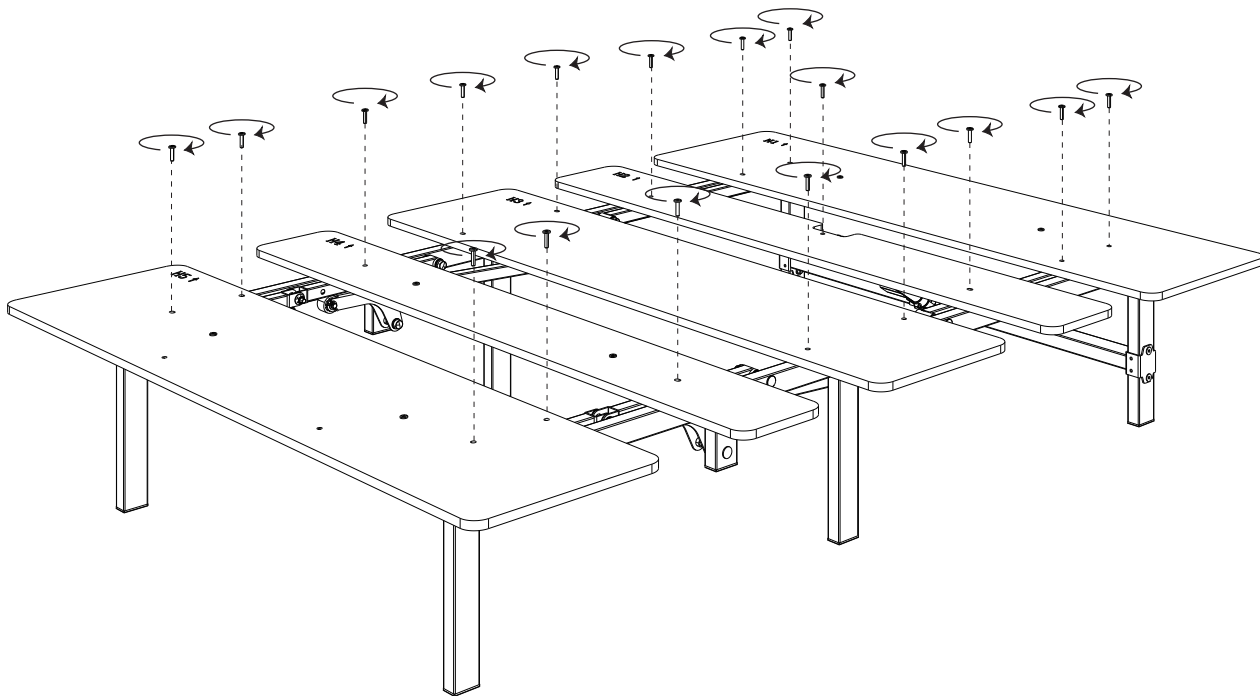
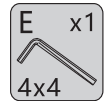
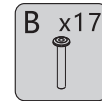
- a** As shown in the illustration, please place the upper frame in the order of H1 to H5, and keep the arrow direction of the sticker consistent with that of the lower frame.



<The picture only shows the installation steps,
the product is subject to the actual product>

STEP6-2

Please pre-tighten the screws as shown in the diagram first. After all are completed, tighten all the screws.

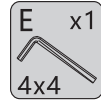
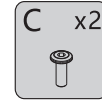


<The picture only shows the installation steps, the product is subject to the actual product>

STEP 7

As shown in the figure, install the mattress stop rod on the bed board H5 and tighten it with screws.

Reminder: During daily use, please do not drag the bed, as there is a risk of bending the foot of the bed.

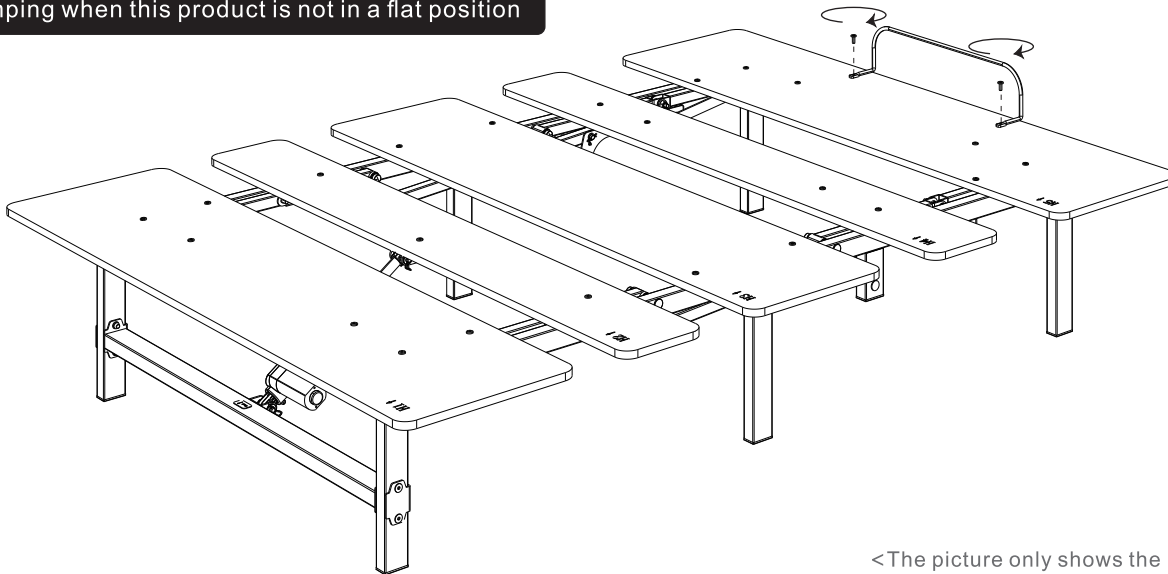


Warning

1. Two people are required to turnover the bed gently.
2. It is forbidden to have a single leg endure the weight during transportation and turnover.



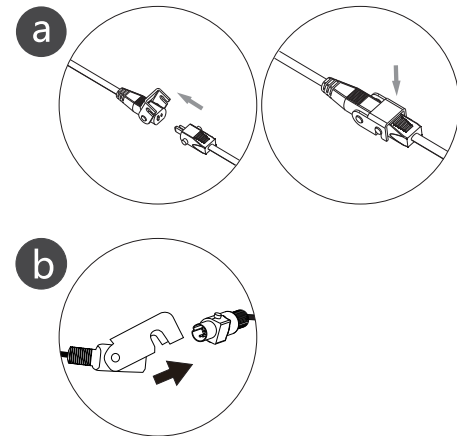
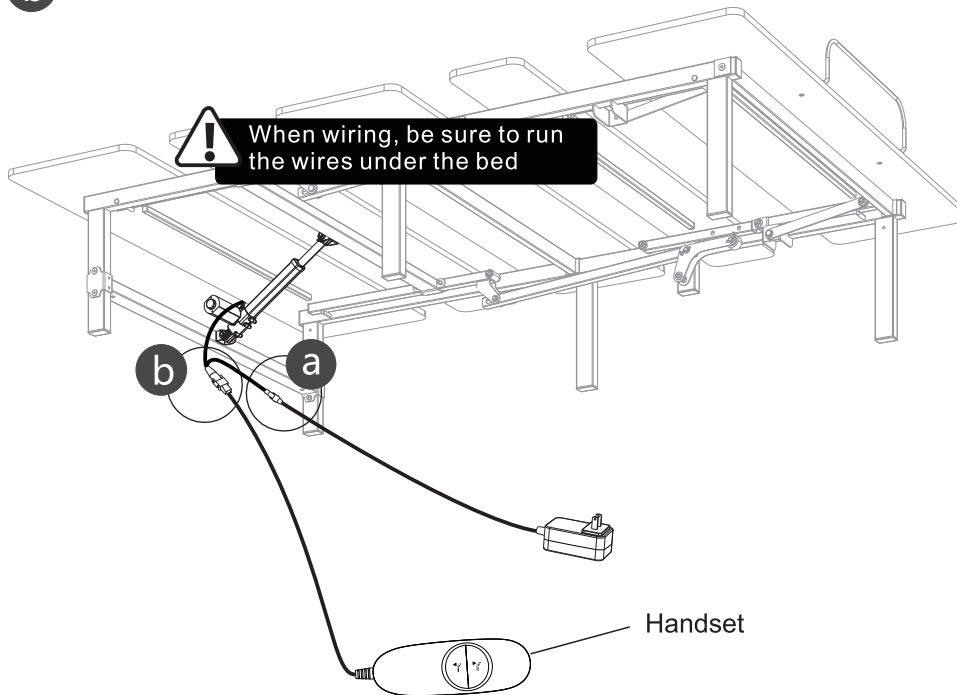
Do not perform strong impact exercises such as jumping when this product is not in a flat position



<The picture only shows the installation steps, the product is subject to the actual product>

STEP 8

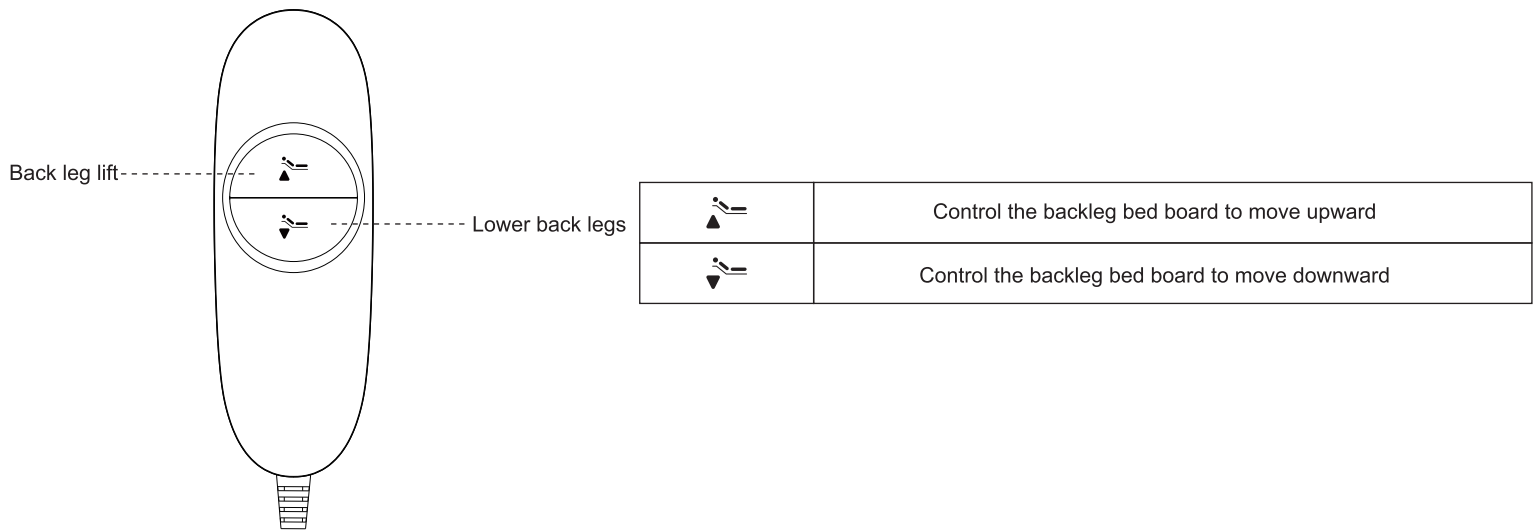
- a Connect the motor's wires to the adapter;
- b Connect the motor's wires to the handset.



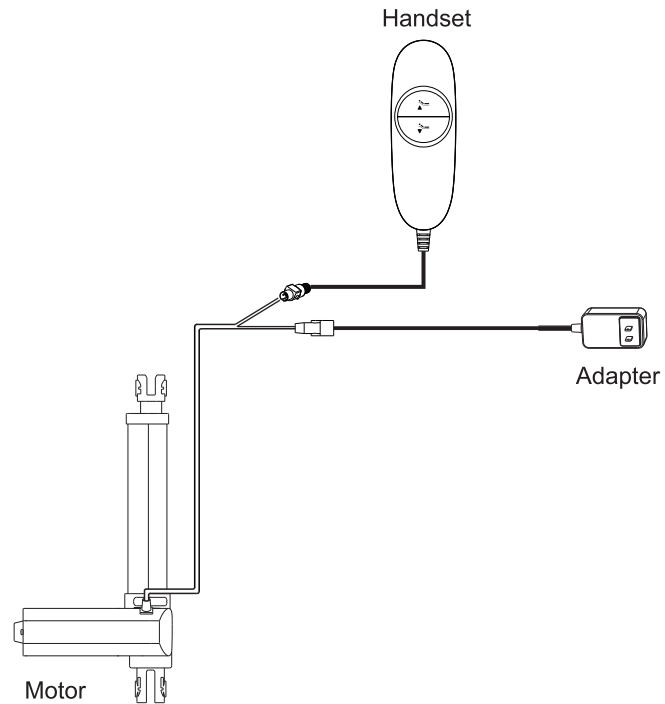
<The picture only shows the installation steps, the product is subject to the actual product>

Remote Control Functional Specification

- Remote Overview:



Electrical Configuration Diagram



Troubleshooting

If the adjustable bed fails, please refer to the solution to the corresponding problem in the table below.

Problem	Solution
The buttons on the line controller are invalid.	Please check whether the wiring of the line controller is connected normally.
None of the functions of this product are available.	<ol style="list-style-type: none">1. Make sure all the wiring is connected correctly.2. Check whether the power cord is plugged into a normally functioning power source or socket.
The lifting and lowering are normal but it cannot return to a flat position.	<ol style="list-style-type: none">1. Remove any obstacles that may affect the operation of the bed.2. Check whether the headboard and the foot of the bed are too close to the wall.
When the headboard is lifted or lowered, a clicking sound can be heard under the bed.	This is a normal phenomenon. When the elevator motor is in use and makes a clicking sound, no action needs to be taken.
This product may cause a jerking sensation during exercise.	<ol style="list-style-type: none">1. Clear any debris or obstacles under and around the adjustable bed.2. Ensure that the lifting motor is connected correctly.

Troubleshooting

If the adjustable bed fails, please refer to the solution to the corresponding problem in the table below.

Problem	Solution
The adjustable squeaks.	<ol style="list-style-type: none">1. Remove all pins, nuts, bolts or bushings.2. Lubricate it by applying grease with a cotton swab. Using a lithium or spray lubricant is recommended.3. When placing the lubricated pin, nut, bolt, or bushing back onto the adjustable bed, make sure not over tighten the nut.4. Additional solution: After completing these steps, spray the pins, nuts, bolts, bushings, or the bed joints with a lubricant.

Attention

01. Before turning on the power, check whether the voltage is normal and whether it meets the power requirements of this product: AC100-240V, frequency 50/60HZ.
02. This product is only suitable for indoor use at home, please do not use it in other places. Do not use with oxygen or other flammable gases.
03. The place where this product is placed should not be too humid and not exposed to direct sunlight. It is necessary to maintain proper air circulation so as not to affect the normal use of this product.
04. Do not use liquids on this product, in case of spillage, unplug the power cord in a safe manner. Make sure this product is completely dry before using it again.
05. This product must be protected from moisture, water, sun, shock, falling, and trampling during movement or transportation. When moving, it should be handled with care to avoid damage.
06. Do not put sharp objects (keys, knives, nail clippers, etc.) and hard objects on this product to avoid damage.
07. Before using this product, please make sure that there are no people or pets under the bed.
08. The power cord needs to be extended from the bottom of the product and inserted into the socket to ensure that it will not be pressed and cause damage during operation. Keep cords away from moving parts of this product and heated surfaces.
09. The electronic components, metals, plastics, wires, etc. contained in the electrical box should be disposed of in accordance with the environmental regulations of various countries, and please do not dispose of them as conventional household waste.
10. When the product is in the lifting state, do not release all the weight on the head or end of the bed, so as not to damage the structure.
11. When the product is in a non-flat state, please do not perform strong impact sports such as jumping.
12. Non-professionals are not allowed to disassemble the electric bed structure and motor, so as not to cause irreversible damage to the electric bed.
13. This product has been equipped with a corresponding remote control when it leaves the factory, please operate and use it according to the instruction manual.
14. After the power supply is installed, use the remote control to check whether the functions are working normally.
15. Please do not open or tamper with the control box, motor, or remote control. Any modification will void the normal warranty.
16. The maximum load-bearing capacity of the product is shared on the bed, not on the head or feet of the bed alone; the damage caused by exceeding the load-bearing capacity cannot be guaranteed.
17. It is recommended to wear protective gear during installation and disassembly.
18. Before using the product, please check carefully to make sure that the product has been completely and correctly installed. Only the accessories provided by the manufacturer can be used for product installation. Please leave a sufficient safety gap when placing the product to avoid the risk of pinching.
19. Operate under the condition of understanding the relevant dangers. Children and those with physical and sensory defects and mentally unsound persons should use it under correct supervision and guidance. Children are not allowed to touch and play at will.
20. If the power cord is damaged, it must be replaced by the manufacturer or related professionals to avoid injury.
21. This product contains some small parts. If swallowed accidentally, there will be a suffocation hazard. Please keep these small parts away from children, and promptly dispose of all packaging materials that may cause suffocation hazards.
22. Before cleaning or repairing, the power plug must be unplugged.

Waste disposal



This marking indicates that this product should not be disposed with other household wastes. To prevent possible harm to the environment or human health from uncontrolled waste disposal, recycle it responsibly to promote the sustainable reuse of material resources. To return your used device, please use the return and collection systems or contact the retailer where the product was purchased. They can take this product for environmental safe recycling.

